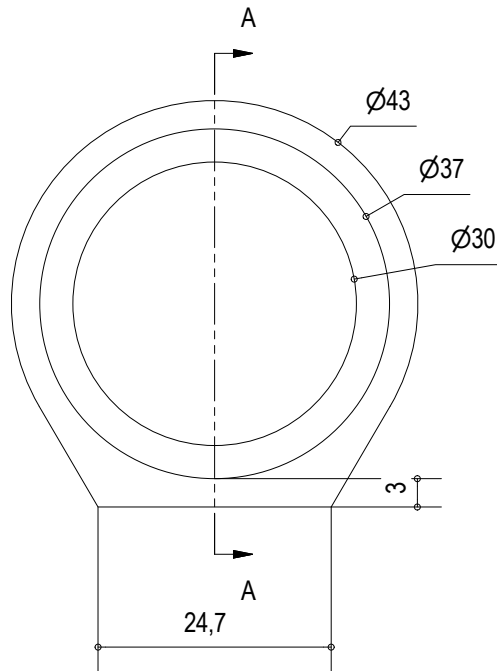
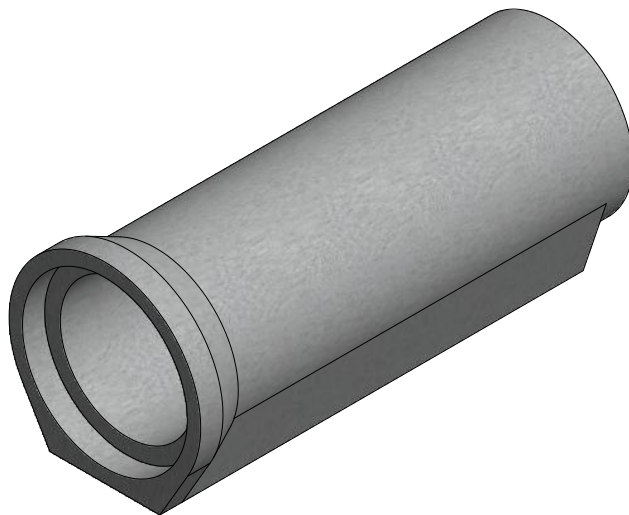
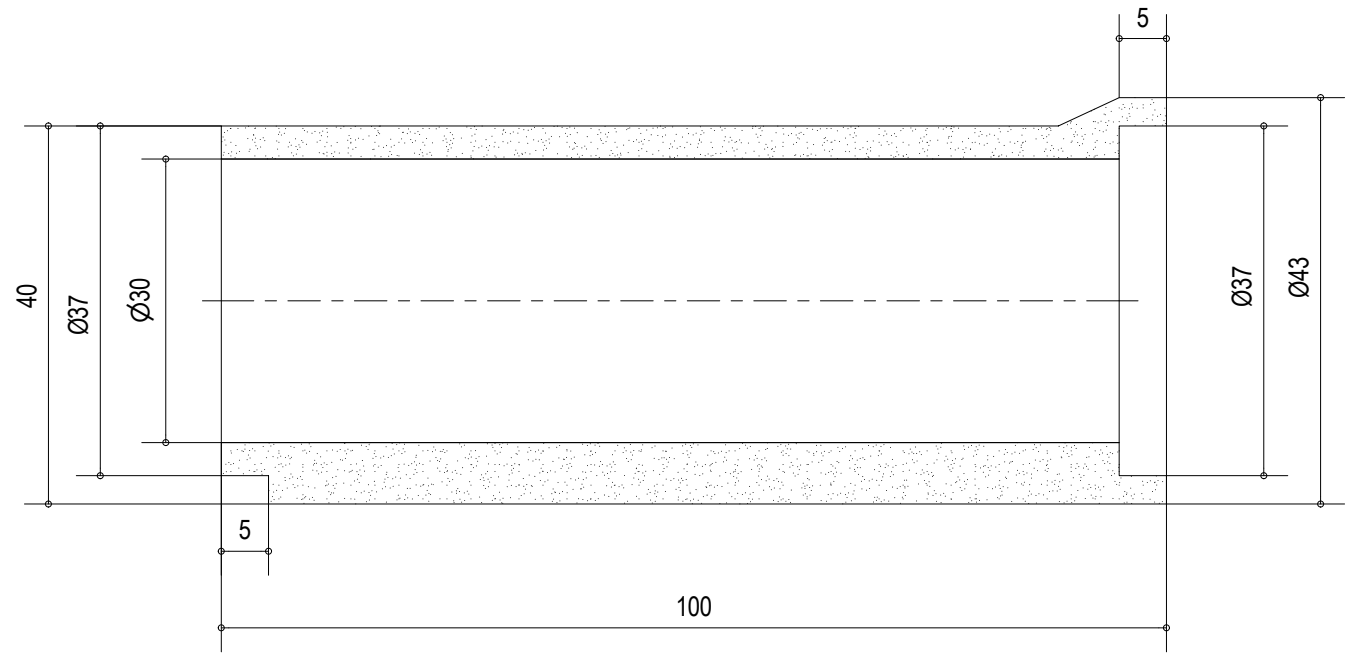


KENMERKEN	CARACTERISTIQUES	
Gewicht	123 kg	Poids

VOORAANZICHT
VUE DE FACE



A-A
DOORSNEDE VOORAANZICHT
VUE DE FACE EN COUPE



IBeton STERKER DAN BETON <i>Jelegems</i>		IBeton bvba Industrieterrein TTS Italiëstraat 8-10 9140 Temse	☎ : 03/711 25 44 ☎ : 03/711 25 45 ✉ : info@ibeton.be 🌐 : www.ibeton.be
MATERIAL:		BETON / BÉTON	SCALE: 1 : 8
TITLE:		BETONBUIS TUYAU ROUNDS AVEC EMBASE	
SHEET:	NUMBER:	REV:	
1 of 1	PVR30	02	

DRAWN BY:	SG	DATE:	15/10/2016
APPROVED BY:	CI	DATE:	29/10/2016
PROPRIETARY THIS DOCUMENT MAY CONTAIN CONFIDENTIAL TECHNICAL DATA, INCLUDING TRADE SECRETS PROPRIETARY TO IBETON. THE DRAWING, DESIGN RIGHTS AND ALL OTHER DISCLOSURES IN THIS DOCUMENT ARE THE PROPERTY OF IBETON. UNAUTHORIZED USE, COPYING, DISTRIBUTION TO THIRD PARTIES, MANUFACTURE, OR REPRODUCTION IN WHOLE OR IN PART IS PROHIBITED.			
REMARKS: afmetingen in cm - wijzigingen voorbehouden dimensions en cm - sous réserve de modifications			

KENMERKEN

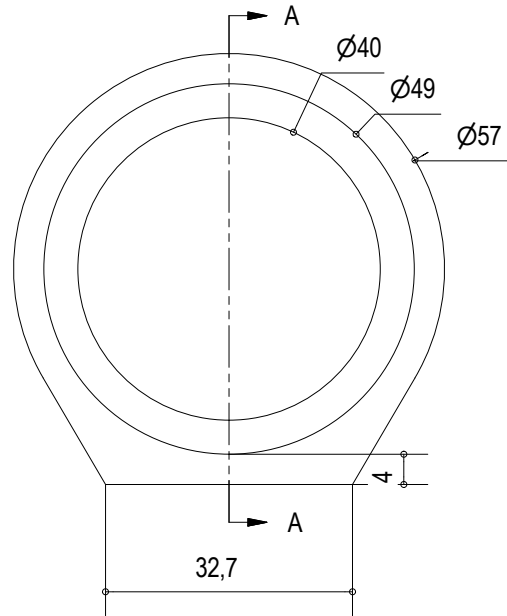
CARACTERISTIQUES

Gewicht

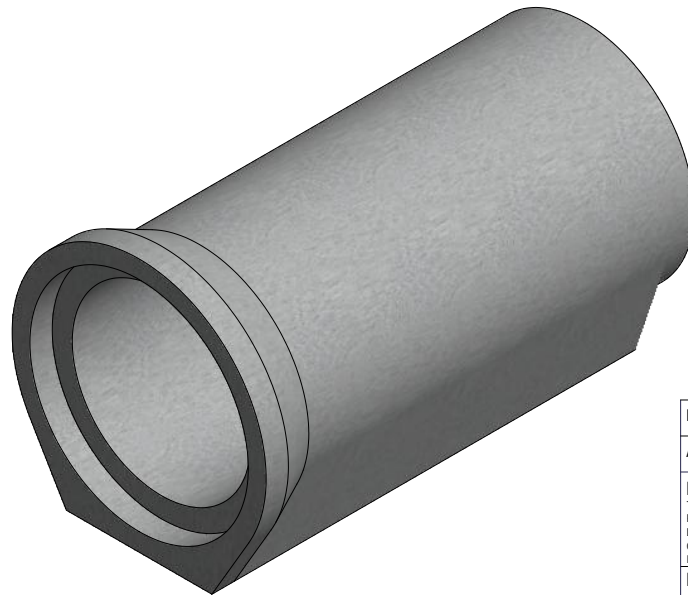
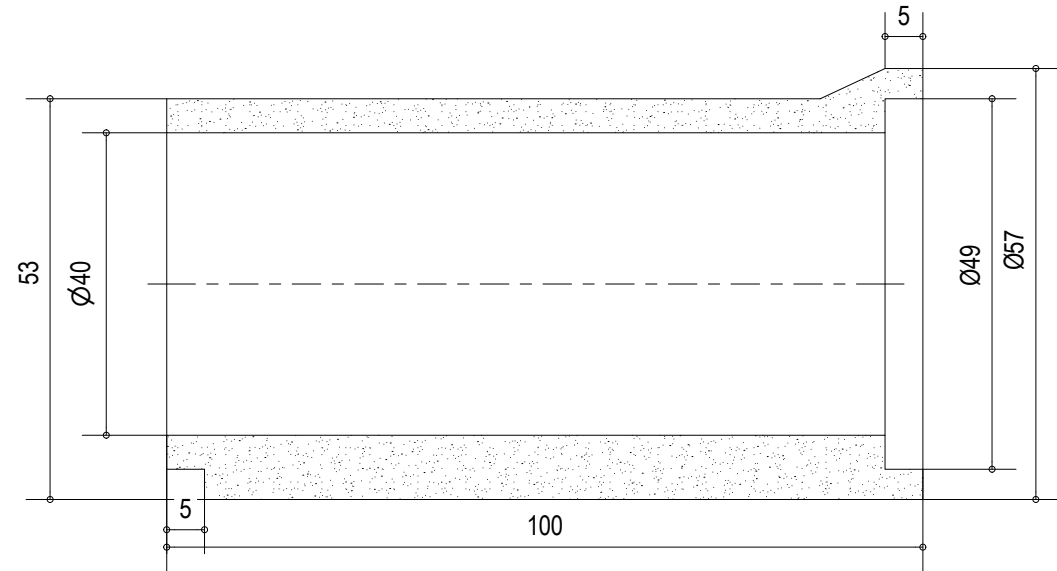
212 kg

Poids

VOORAANZICHT
VUE DE FACE



A-A
DOORSNEDE VOORAANZICHT
VUE DE FACE EN COUPE



IBeton
STERKER DAN BETON *delegans*

IBeton bvba
Industrieterrein TTS
Italiëstraat 8-10
9140 Temse

☎ : 03/711 25 44
☎ : 03/711 25 45
✉ : info@ibeton.be
🌐 : www.ibeton.be

MATERIAL:

BETON / BÉTON

SCALE: 1 : 10

SIZE: A4

TITLE:

BETONBUIS
TUYAU ROUNDS AVEC EMBASE

SHEET:

1 of 1

NUMBER:

PVR40

REV:

02

DRAWN BY: SG DATE: 15/10/2016

APPROVED BY: CI DATE: 29/10/2016

PROPRIETARY

THIS DOCUMENT MAY CONTAIN CONFIDENTIAL TECHNICAL DATA, INCLUDING TRADE SECRETS PROPRIETARY TO IBETON. THE DRAWING, DESIGN RIGHTS AND ALL OTHER DISCLOSURES IN THIS DOCUMENT ARE THE PROPERTY OF IBETON. UNAUTHORIZED USE, COPYING, DISTRIBUTION TO THIRD PARTIES, MANUFACTURE, OR REPRODUCTION IN WHOLE OR IN PART IS PROHIBITED.

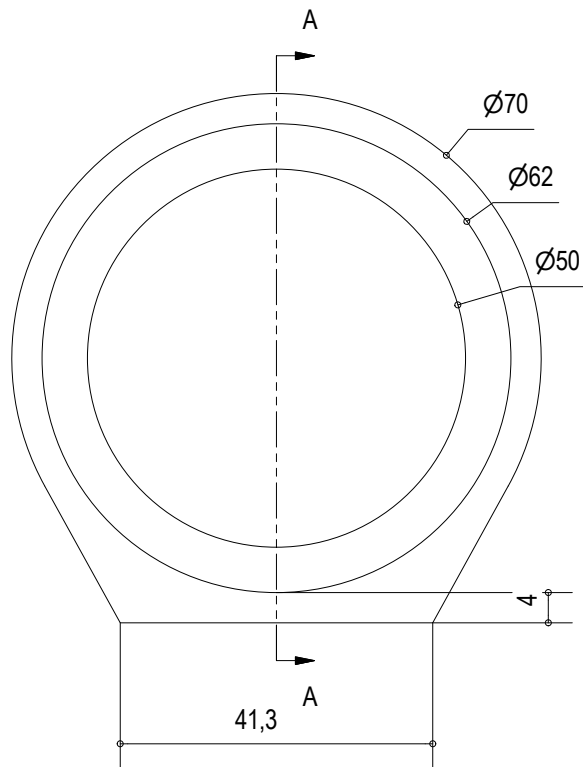
REMARKS: afmetingen in cm - wijzigingen voorbehouden
dimensions en cm - sous réserve de modifications

KENMERKEN

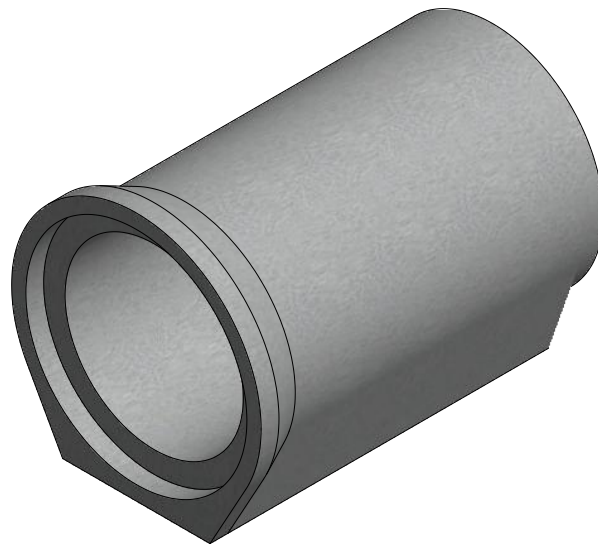
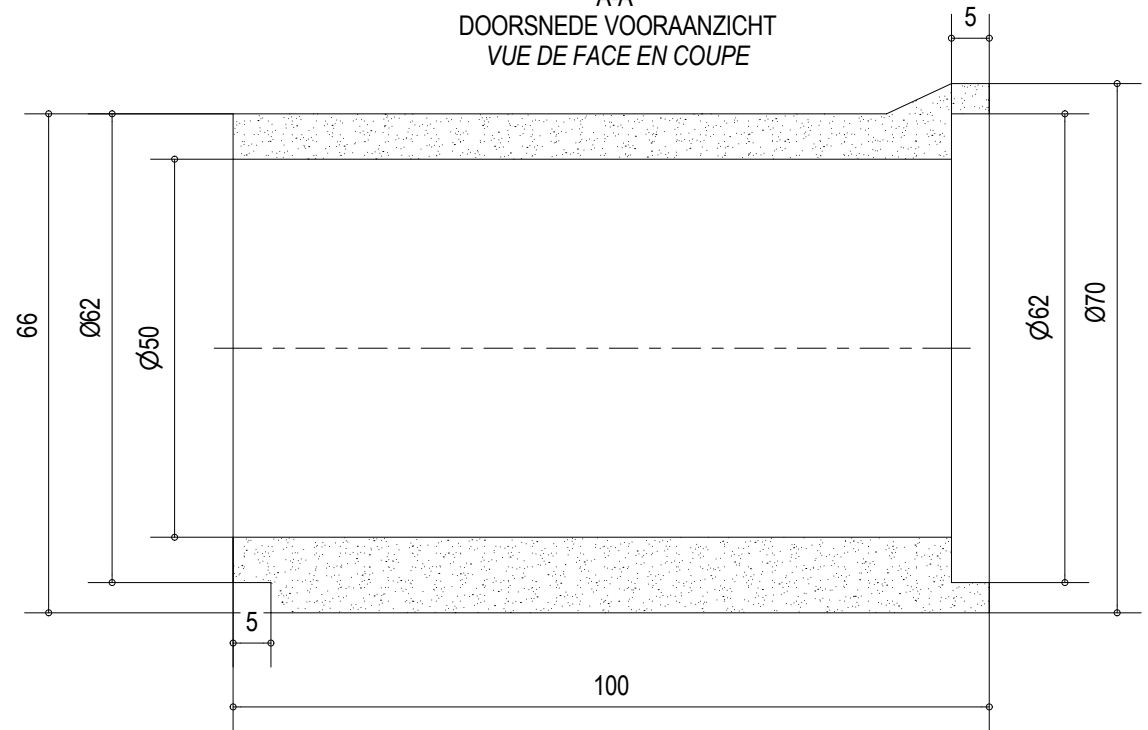
CARACTERISTIQUES

Gewicht	313 kg	Poids
---------	--------	-------

VOORAANZICHT
VUE DE FACE



A-A
DOORSNEDE VOORAANZICHT
VUE DE FACE EN COUPE



IBeton
STERKER DAN BETON *Delegans*

IBeton bvba
Industrieterrein TTS
Italiëstraat 8-10
9140 Temse

☎ : 03/711 25 44
☎ : 03/711 25 45
✉ : info@ibeton.be
🌐 : www.ibeton.be

MATERIAL:	BETON / BÉTON	SCALE: 1 : 10
		SIZE: A4

TITLE:	BETONBUIS TUYAU ROUNDS AVEC EMBASE	
--------	--	--

SHEET:	NUMBER:	REV:
1 of 1	PVR50	02

DRAWN BY:	SG	DATE:	15/10/2016
APPROVED BY:	CI	DATE:	29/10/2016

PROPRIETARY
THIS DOCUMENT MAY CONTAIN CONFIDENTIAL TECHNICAL DATA, INCLUDING TRADE SECRETS PROPRIETARY TO IBETON. THE DRAWING, DESIGN RIGHTS AND ALL OTHER DISCLOSURES IN THIS DOCUMENT ARE THE PROPERTY OF IBETON. UNAUTHORIZED USE, COPYING, DISTRIBUTION TO THIRD PARTIES, MANUFACTURE, OR REPRODUCTION IN WHOLE OR IN PART IS PROHIBITED.

REMARKS: afmetingen in cm - wijzigingen voorbehouden
dimensions en cm - sous réserve de modifications