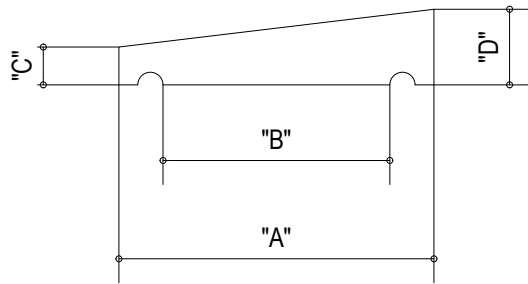


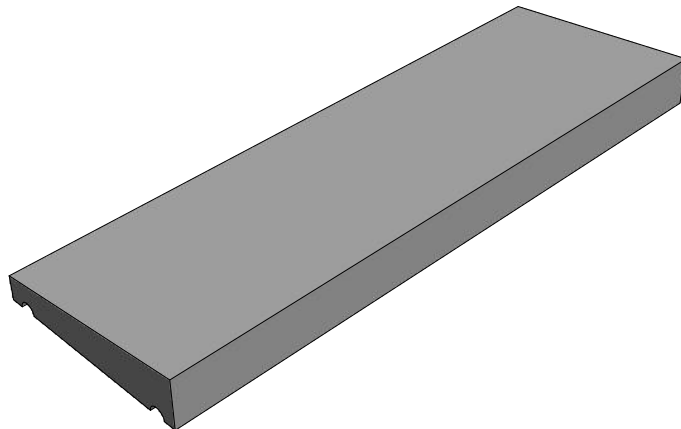
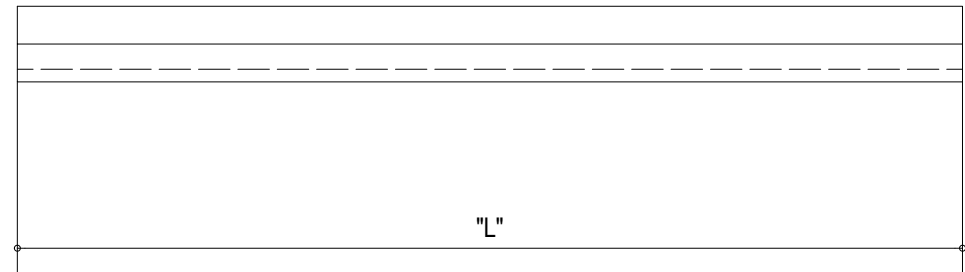
MUURKAPPEN ZONDER KRAAG - COUVRE MUR SANS COL

Nummer Numéro	Breedte "A" Largeur "A"	Breedte "B" Largeur "B"	Dikte "C" Épaisseur "C"	Dikte "D" Épaisseur "D"	Lengte "L" Longueur "L"	Gewicht (kg) Poids	Aantal/Pak Emballage
MUZ125	25	18	3	6	75	20	20
MUZ130	30	23	3	6	75	22	20
MUZ140	40	33	3	6	75	30	20
MUZ150	50	43	3	6	75	38	20

VOORAANZICHT  
VUE DE FACE



ZIJAANZICHT  
VUE LATÉRALE



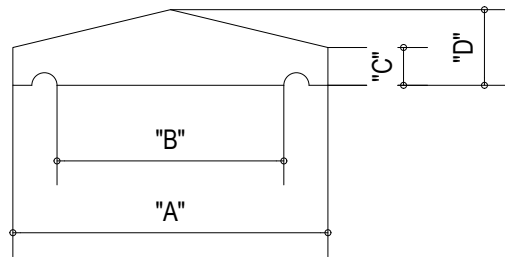
 <b>IBeton</b> STERKER DAN BETON <i>delegatus</i>		IBeton bvba Industrieterrein TTS Italiëstraat 8-10 9140 Temse	☎ : 03/711 25 44 📠 : 03/711 25 45 ✉ : info@ibeton.be 🌐 : www.ibeton.be
MATERIAL:		BETON / BÉTON	SCALE: 1 : 6
			SIZE: A4
TITLE:		<b>MUURKAP - ENKELE AFWATERING</b> COUVRE MUR - DRAIN SIMPLE	
SHEET:	NUMBER:	REV:	
1 of 1	MUZ1XX	02	

DRAWN BY:	SG	DATE:	15/10/2016
APPROVED BY:	CI	DATE:	29/10/2016
PROPRIETARY THIS DOCUMENT MAY CONTAIN CONFIDENTIAL TECHNICAL DATA, INCLUDING TRADE SECRETS PROPRIETARY TO IBETON. THE DRAWING, DESIGN RIGHTS AND ALL OTHER DISCLOSURES IN THIS DOCUMENT ARE THE PROPERTY OF IBETON. UNAUTHORIZED USE, COPYING, DISTRIBUTION TO THIRD PARTIES, MANUFACTURE, OR REPRODUCTION IN WHOLE OR IN PART IS PROHIBITED.			
REMARKS: afmetingen in cm - wijzigingen voorbehouden dimensions en cm - sous réserve de modifications			

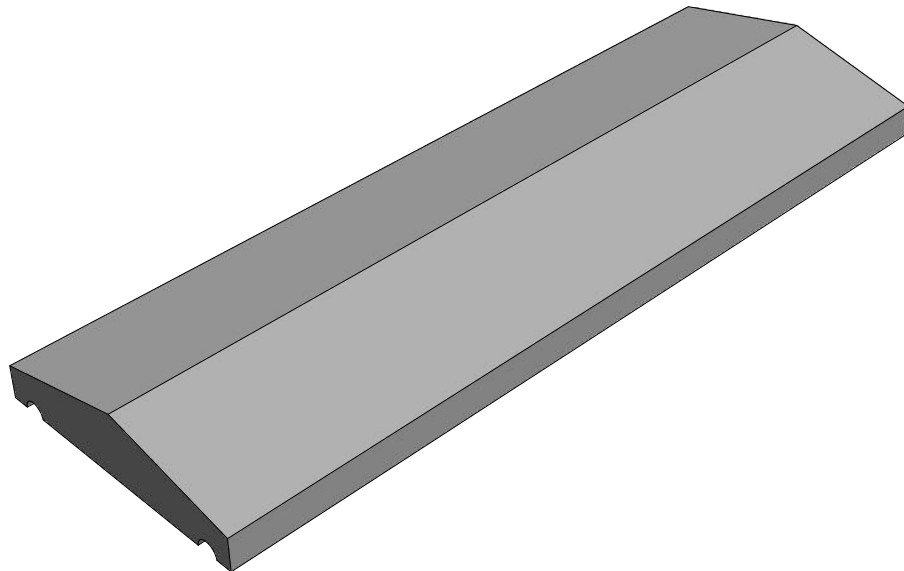
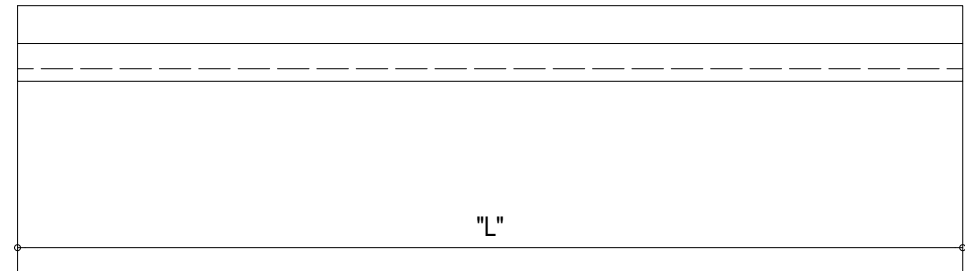
MUURKAPPEN ZONDER KRAAG - COUVRE MUR SANS COL


Nummer Numéro	Breedte "A" Largeur "A"	Breedte "B" Largeur "B"	Dikte "C" Epaisseur "C"	Dikte "D" Epaisseur "D"	Lengte "L" Longueur "L"	Gewicht (kg) Poids	Aantal/Pak Emballage
MUZ225	25	18	3	6	75	20	20
MUZ230	30	23	3	6	75	22	20
MUZ240	40	33	3	6	75	30	20
MUZ250	50	43	3	6	75	38	20

VOORAANZICHT  
VUE DE FACE



ZIJAANZICHT  
VUE LATERALE



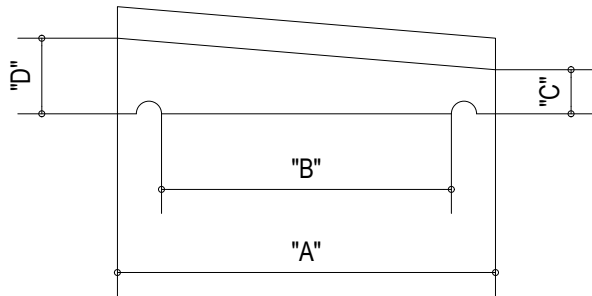
 <b>IBeton</b> STERKER DAN BETON <i>delegans</i>		IBeton bvba Industrieterrein TTS Italiëstraat 8-10 9140 Temse	☎ : 03/711 25 44 📠 : 03/711 25 45 ✉ : info@ibeton.be 🌐 : www.ibeton.be
MATERIAL:		BETON / BÉTON	SCALE: 1 : 6
			SIZE: A4
TITLE: <b>MUURKAP - DUBBEL AFWATERING</b> COUVRE MUR - DRAIN DOUBLE			
SHEET:	NUMBER:	REV:	
1 of 1	MUZ2XX	02	

DRAWN BY: SG	DATE: 15/10/2016
APPROVED BY: CI	DATE: 29/10/2016
PROPRIETARY THIS DOCUMENT MAY CONTAIN CONFIDENTIAL TECHNICAL DATA, INCLUDING TRADE SECRETS PROPRIETARY TO IBETON. THE DRAWING, DESIGN RIGHTS AND ALL OTHER DISCLOSURES IN THIS DOCUMENT ARE THE PROPERTY OF IBETON. UNAUTHORIZED USE, COPYING, DISTRIBUTION TO THIRD PARTIES, MANUFACTURE, OR REPRODUCTION IN WHOLE OR IN PART IS PROHIBITED.	
REMARKS: afmetingen in cm - wijzigingen voorbehouden dimensions en cm - sous réserve de modifications	

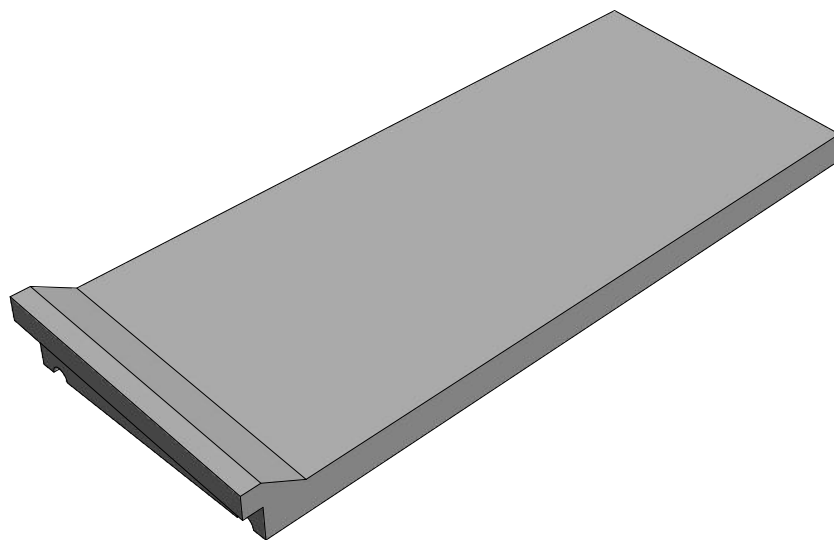
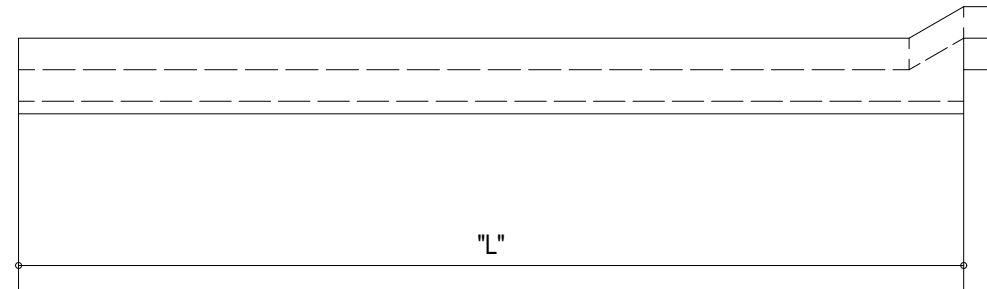
MUURKAPPEN MET KRAAG - COUVRE MUR AVEC COL

Nummer Numéro	Breedte "A" Largeur "A"	Breedte "B" Largeur "B"	Dikte "C" Epaisseur "C"	Dikte "D" Epaisseur "D"	Lengte "L" Longueur "L"	Gewicht (kg) Poids	Aantal/Pak Emballage
MU11	30	23	3.5	6	75	26	40
MU115	40	33	3.5	6	75	35	40

VOORAANZICHT  
VUE DE FACE



ZIJAANZICHT  
VUE LATERALE



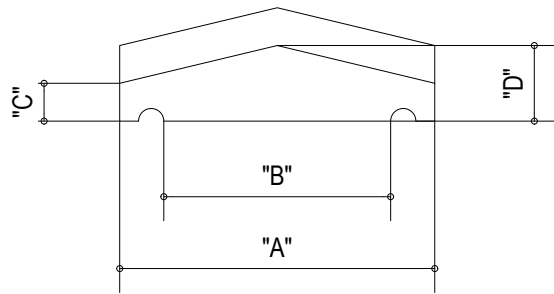
<b>IBeton</b> STERKER DAN BETON <i>Delegatus</i>		<b>IBeton bvba</b> Industrieterrein TTS Italiëstraat 8-10 9140 Temse	☎ : 03/711 25 44 ☎ : 03/711 25 45 ✉ : info@ibeton.be 🌐 : www.ibeton.be
MATERIAL:		BETON / BÉTON	SCALE: 1 : 6 SIZE: A4
TITLE: <b>MUURKAP - ENKELE AFWATERING</b> COUVRE MUR - DRAIN SIMPLE			
SHEET:	NUMBER:	REV:	
1 of 1	MU1XX	02	

DRAWN BY: SG	DATE: 15/10/2016
APPROVED BY: CI	DATE: 29/10/2016
<b>PROPRIETARY</b> <small>THIS DOCUMENT MAY CONTAIN CONFIDENTIAL TECHNICAL DATA, INCLUDING TRADE SECRETS PROPRIETARY TO IBETON. THE DRAWING, DESIGN RIGHTS AND ALL OTHER DISCLOSURES IN THIS DOCUMENT ARE THE PROPERTY OF IBETON. UNAUTHORIZED USE, COPYING, DISTRIBUTION TO THIRD PARTIES, MANUFACTURE, OR REPRODUCTION IN WHOLE OR IN PART IS PROHIBITED.</small>	
<b>REMARKS:</b> <small>afmetingen in cm - wijzigingen voorbehouden dimensions en cm - sous réserve de modifications</small>	

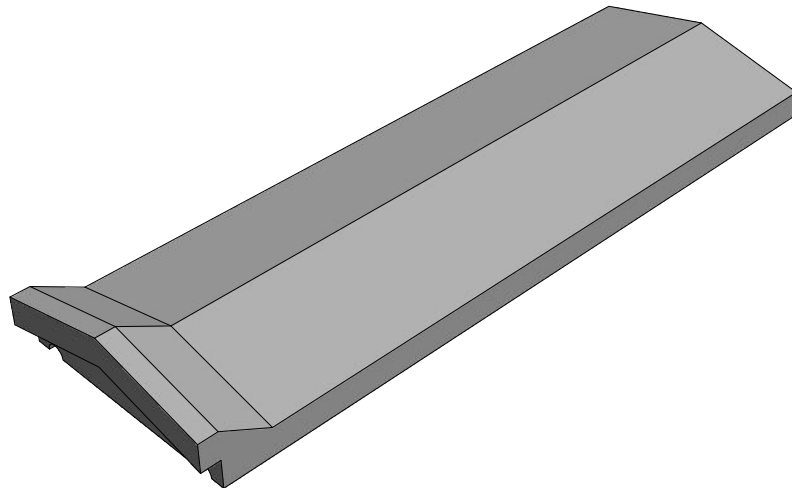
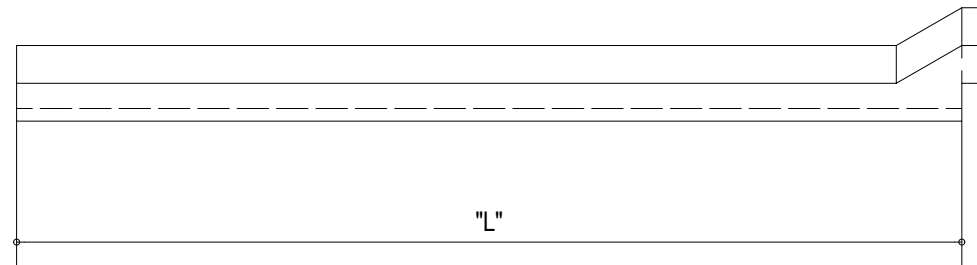
MUURKAPPEN MET KRAAG - COUVRE MUR AVEC COL

Nummer Numéro	Breedte "A" Largeur "A"	Breedte "B" Largeur "B"	Dikte "C" Epaisseur "C"	Dikte "D" Epaisseur "D"	Lengte "L" Longueur "L"	Gewicht (kg) Poids	Aantal/Pak Emballage
MU21	30	23	3	6	75	27	40
MU215	40	33	3	6	75	36	40
MU22	50	43	3	6	75	40	20

VOORAANZICHT  
VUE DE FACE



ZIJAANZICHT  
VUE LATERALE



<b>IBeton</b> STERKER DAN BETON <i>Delegatus</i>		<b>IBeton bvba</b> Industrieterrein TTS Italiëstraat 8-10 9140 Temse	☎ : 03/711 25 44 ☎ : 03/711 25 45 ✉ : info@ibeton.be 🌐 : www.ibeton.be
MATERIAL:		BETON / BÉTON	SCALE: 1 : 6 SIZE: A4
TITLE: <b>MUURKAP - DUBBEL AFWATERING</b> COUVRE MUR - DRAIN DOUBLE			
SHEET:	NUMBER:	REV:	
1 of 1	MU2XX	02	

DRAWN BY: SG	DATE: 15/10/2016
APPROVED BY: CI	DATE: 29/10/2016
<b>PROPRIETARY</b> <small>THIS DOCUMENT MAY CONTAIN CONFIDENTIAL TECHNICAL DATA, INCLUDING TRADE SECRETS PROPRIETARY TO IBETON. THE DRAWING, DESIGN RIGHTS AND ALL OTHER DISCLOSURES IN THIS DOCUMENT ARE THE PROPERTY OF IBETON. UNAUTHORIZED USE, COPYING, DISTRIBUTION TO THIRD PARTIES, MANUFACTURE, OR REPRODUCTION IN WHOLE OR IN PART IS PROHIBITED.</small>	
<b>REMARKS:</b> <small>afmetingen in cm - wijzigingen voorbehouden dimensions en cm - sous réserve de modifications</small>	