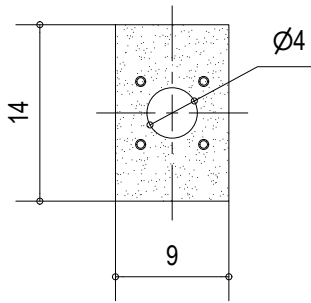
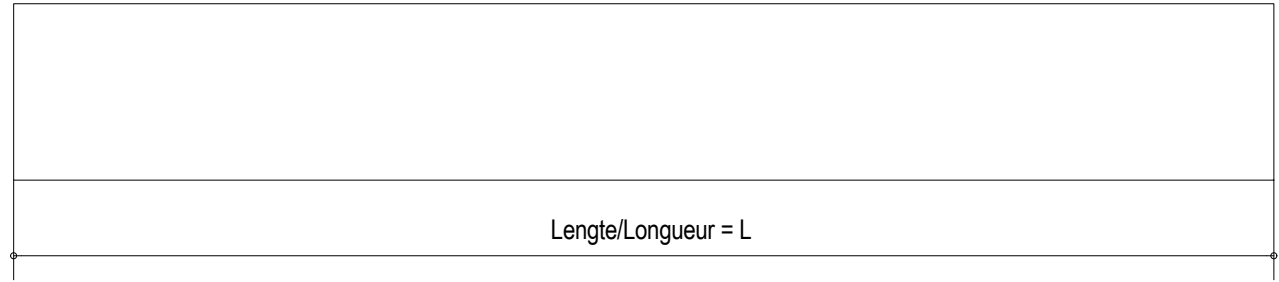


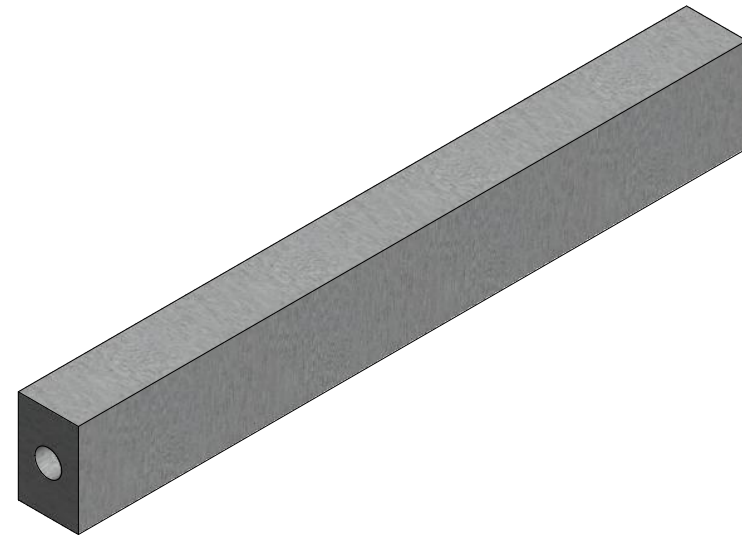
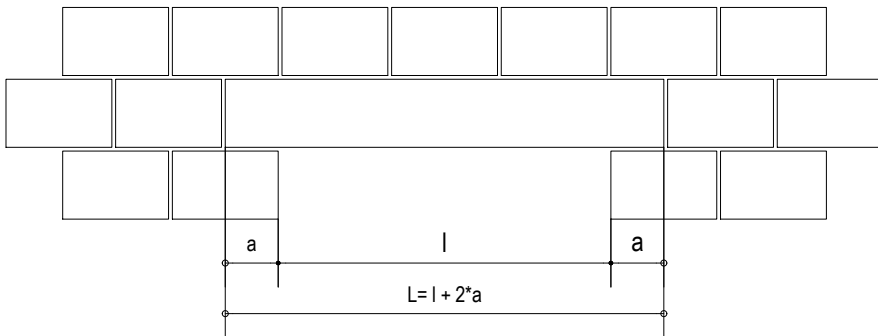
DOORSNEDE
COUPE



VOORAANZICHT
VUE FRONTALE




VOORAANZICHT
VUE FRONTALE



(a) = min. 10cm indien $l \leq 1m$ / (a) = 10cm minimum pour $l \leq 1m$
 (a) = min. 20cm indien $l > 1m$ / (a) = 20cm minimum pour $l > 1m$

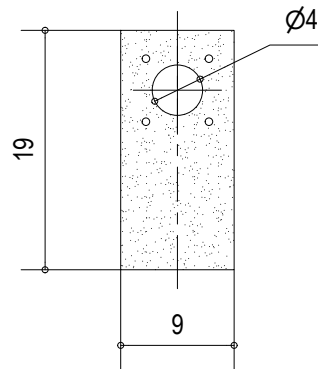
HOLLE LATEIEN / LINTEAUX CREUX

Nummer Numéro	Lengte "L" Longueur "L"	Lengte "l" Longueur "l"	Wapening onder d'armature sous (mm)	Wapening boven d'armature au-dessus (mm)	Gewicht Poids (kg/m)	Aantal/Pak emballage
HLA 9x14	100	80	2 X 6	2 X 6	25	32
HLA 9x14	120	100	2 X 6	2 X 6	25	32
HLA 9x14	140	120	2 X 6	2 X 6	25	32
HLA 9x14	160	140	2 X 6	2 X 6	25	32
HLA 9x14	180	160	2 X 6	2 X 6	25	32
HLA 9x14	200	180	2 X 8	2 X 8	25	32
HLA 9x14	220	200	2 X 8	2 X 8	25	32
HLA 9x14	240	220	2 X 8	2 X 8	25	32

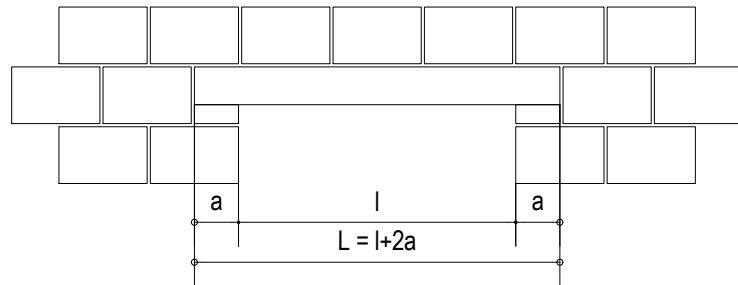
		IBeton bvba Industrieterrein TTS Italiëstraat 8-10 9140 Temse	☎ : 03/711 25 44 📠 : 03/711 25 45 ✉ : info@ibeton.be 🌐 : www.ibeton.be
MATERIAL:		SCALE: 1 : 6	
BETON / BÉTON		SIZE: A4	
TITLE:		HOLLE LATEIEN LINTEAUX CREUX	
SHEET:	NUMBER:	REV:	
1 of 1	HLA 9x14	02	

DRAWN BY:	SG	DATE:	14/10/2016
APPROVED BY:	CI	DATE:	28/10/2016
PROPRIETARY THIS DOCUMENT MAY CONTAIN CONFIDENTIAL TECHNICAL DATA, INCLUDING TRADE SECRETS PROPRIETARY TO IBETON. THE DRAWING, DESIGN RIGHTS AND ALL OTHER DISCLOSURES IN THIS DOCUMENT ARE THE PROPERTY OF IBETON. UNAUTHORIZED USE, COPYING, DISTRIBUTION TO THIRD PARTIES, MANUFACTURE, OR REPRODUCTION IN WHOLE OR IN PART IS PROHIBITED.			
REMARKS:	afmetingen in cm - wijzigingen voorbehouden dimensions en cm - sous réserve de modifications		

DOORSNEDE



VOORAANZICHT

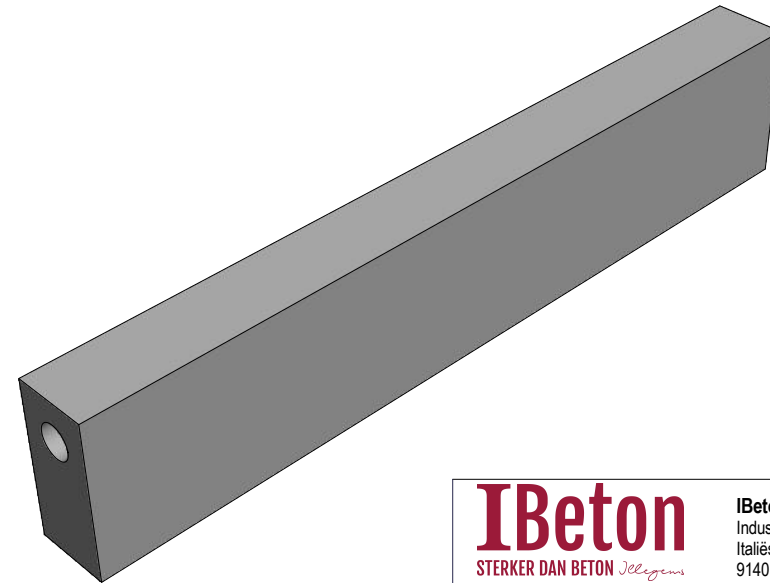
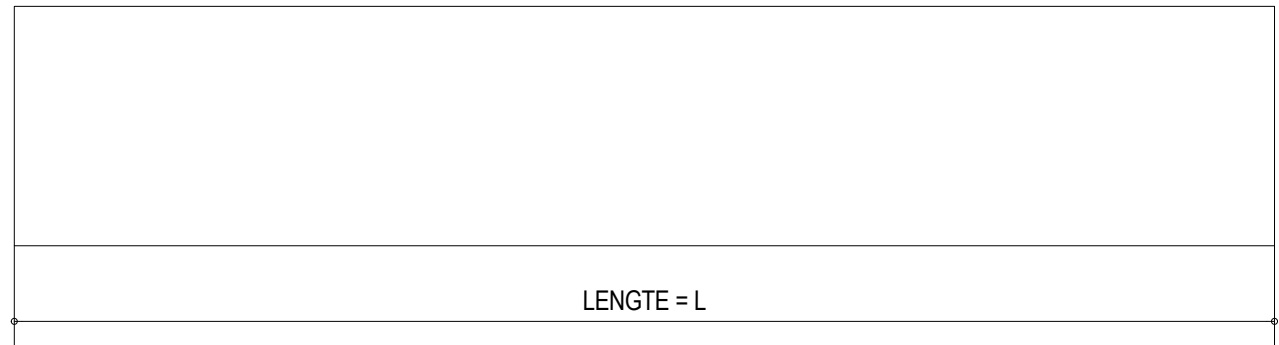


(a) = min. 10cm indien $l \leq 1m$
 (a) = min. 20cm indien $l > 1m$


HOLLE LATEIEN

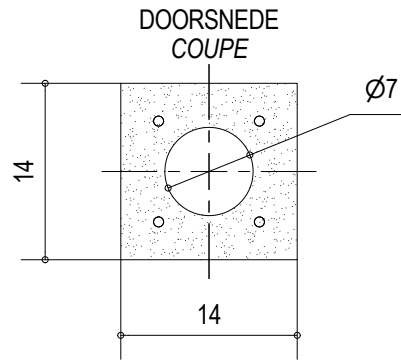
Number	Lengte "L"	Lengte "l"	Wapening onder (mm)	Wapening boven (mm)	Gewicht (kg/m)	Aantal/Pak
HLA 9x19	100	80	2 X 6	2 X 6	25	32
HLA 9x19	120	100	2 X 6	2 X 6	25	32
HLA 9x19	140	120	2 X 6	2 X 6	25	32
HLA 9x19	160	140	2 X 6	2 X 6	25	32
HLA 9x19	180	160	2 X 6	2 X 6	25	32
HLA 9x19	200	180	2 X 8	2 X 8	25	32
HLA 9x19	220	200	2 X 8	2 X 8	25	32
HLA 9x19	240	220	2 X 8	2 X 8	25	32
HLA 9x19	260	240	2 X 8	2 X 8	25	32
HLA 9x19	280	260	2 X 8	2 X 8	25	32
HLA 9x19	300	280	2 X 8	2 X 8	25	32

ZIJAANZICHT

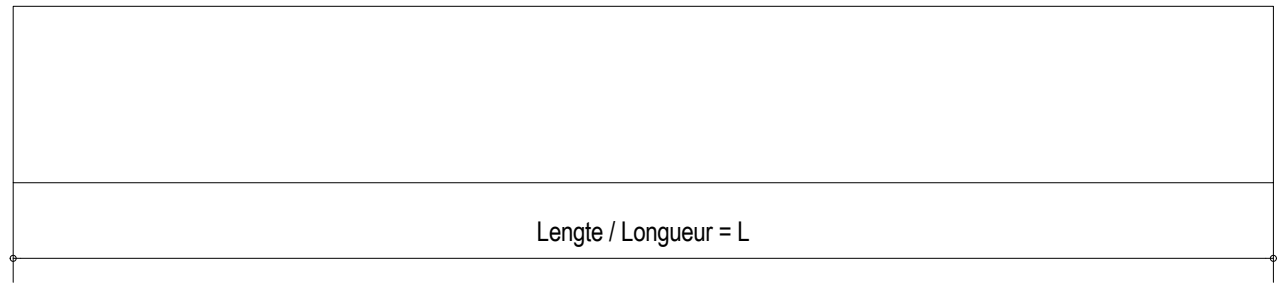


DRAWN BY: SG	DATE: 15/10/2016
APPROVED BY: CI	DATE: 29/10/2016
PROPRIETARY <small>THIS DOCUMENT MAY CONTAIN CONFIDENTIAL TECHNICAL DATA, INCLUDING TRADE SECRETS PROPRIETARY TO IBETON. THE DRAWING, DESIGN RIGHTS AND ALL OTHER DISCLOSURES IN THIS DOCUMENT ARE THE PROPERTY OF IBETON. UNAUTHORIZED USE, COPYING, DISTRIBUTION TO THIRD PARTIES, MANUFACTURE, OR REPRODUCTION IN WHOLE OR IN PART IS PROHIBITED.</small>	
REMARKS: afmetingen in cm - wijzigingen voorbehouden	

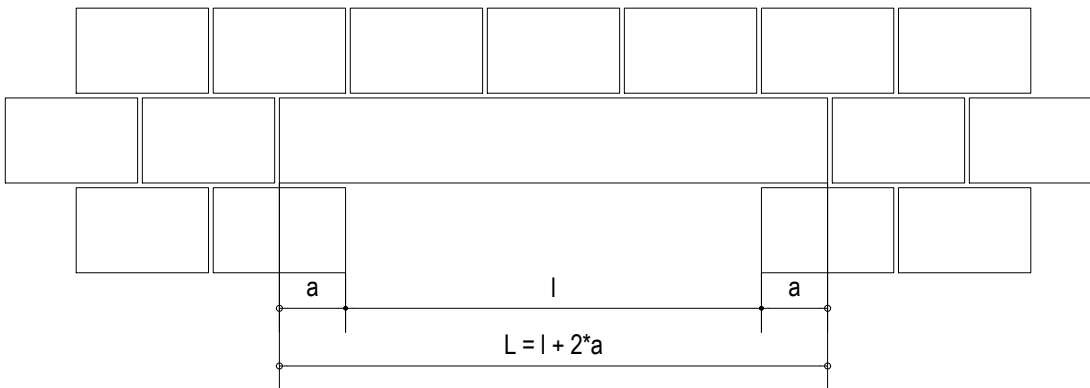
 IBeton <small>STERKER DAN BETON <i>Idlegems</i></small>		IBeton bvba Industrieterrein TTS Italiëstraat 8-10 9140 Temse	☎ : 03/711 25 44 📠 : 03/711 25 45 ✉ : info@ibeton.be 🌐 : www.ibeton.be
MATERIAL: BETON		SCALE: 1 : 6	SIZE: A4
TITLE: HOLLE LATEIEN LINTEAUX CREUX			
SHEET: 1 of 1	NUMBER: HLA 9x19	REV: 02	



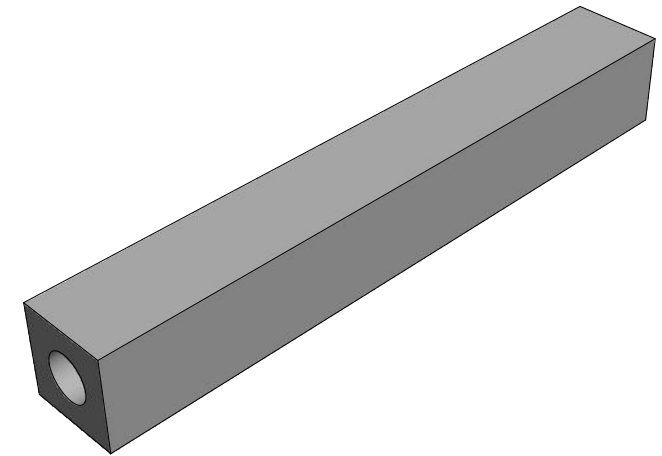
VOORAANZICHT
VUE FRONTALE



VOORAANZICHT
VUE FRONTALE




(a) = min. 10cm indien $l \leq 1m$ / (a) = 10cm minimum pour $l \leq 1m$
(a) = min. 20cm indien $l > 1m$ / (a) = 20cm minimum pour $l > 1m$

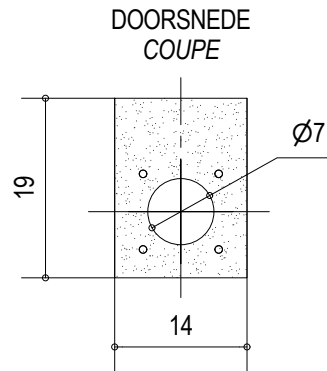


HOLLE LATEIEN / LINTEAUX CREUX

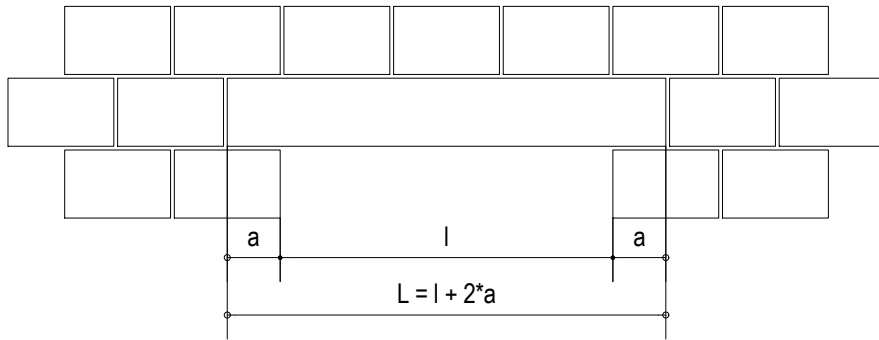
Nummer Numéro	Lengte "L" Longueur "L"	Lengte "l" Longueur "l"	Wapening onder d'armature sous (mm)	Wapening boven d'armature au-dessus (mm)	Gewicht Poids (kg/m)	Aantal/Pak emballage
HLA 14x14	100	80	2 X 6	2 X 6	33	20
HLA 14x14	120	100	2 X 6	2 X 6	33	20
HLA 14x14	140	120	2 X 6	2 X 6	33	20
HLA 14x14	160	140	2 X 6	2 X 6	33	20
HLA 14x14	180	160	2 X 6	2 X 6	33	20
HLA 14x14	200	180	2 X 8	2 X 8	33	20
HLA 14x14	220	200	2 X 8	2 X 8	33	20
HLA 14x14	240	220	2 X 8	2 X 8	33	20
HLA 14x14	260	240	2 X 8	2 X 8	33	20
HLA 14x14	280	260	2 X 8	2 X 8	33	20
HLA 14x14	300	280	2 X 8	2 X 8	33	20

DRAWN BY: SG	DATE: 14/10/2016
APPROVED BY: CI	DATE: 28/10/2016
PROPRIETARY <small>THIS DOCUMENT MAY CONTAIN CONFIDENTIAL TECHNICAL DATA, INCLUDING TRADE SECRETS PROPRIETARY TO IBETON. THE DRAWING, DESIGN RIGHTS AND ALL OTHER DISCLOSURES IN THIS DOCUMENT ARE THE PROPERTY OF IBETON. UNAUTHORIZED USE, COPYING, DISTRIBUTION TO THIRD PARTIES, MANUFACTURE, OR REPRODUCTION IN WHOLE OR IN PART IS PROHIBITED.</small>	
REMARKS: <small>afmetingen in cm - wijzigingen voorbehouden dimensions en cm - sous réserve de modifications</small>	

 IBeton <small>STERKER DAN BETON <i>Jelegems</i></small>		IBeton bvba Industrieterrein TTS Italiëstraat 8-10 9140 Temse	☎ : 03/711 25 44 ☎ : 03/711 25 45 ✉ : info@ibeton.be 🌐 : www.ibeton.be
MATERIAL: BETON / BÉTON		SCALE: 1 : 6 SIZE: A4	
TITLE: HOLLE LATEIEN LINTEAUX CREUX			
SHEET: 1 of 1	NUMBER: HLA 14x14	REV: 02	



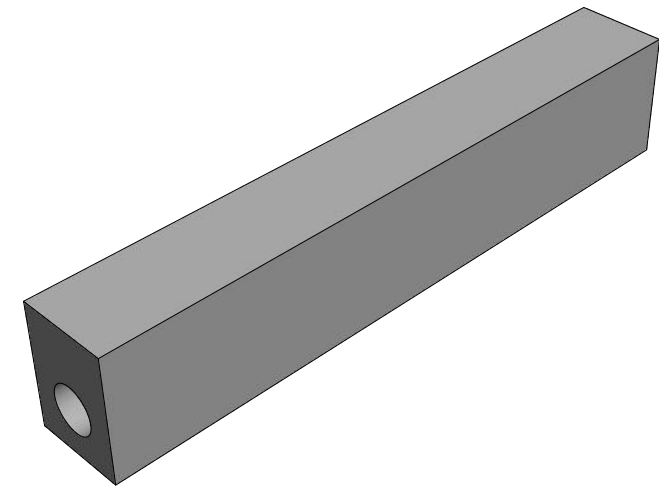
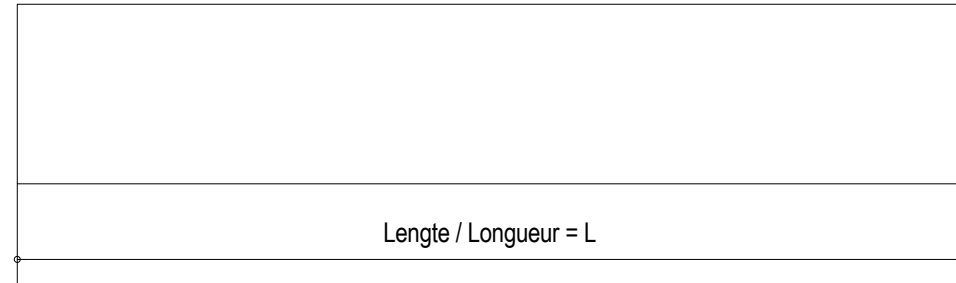
VOORAANZICHT
VUE FRONTALE



(a) = min. 10cm indien $l \leq 1m$ / (a) = 10cm minimum pour $l \leq 1m$
(a) = min. 20cm indien $l > 1m$ / (a) = 20cm minimum pour $l > 1m$

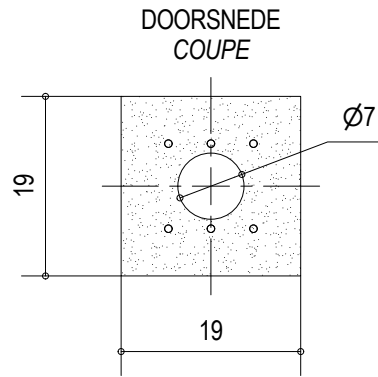
HOLLE LATEIEN / LINTEAUX CREUX						
Nummer Numéro	Lengte "L" Longueur "L"	Lengte "l" Longueur "l"	Wapening onder d'armature sous (mm)	Wapening boven d'armature au-dessus (mm)	Gewicht Poids (kg/m)	Aantal/Pak emballage
HLA 14x19	100	80	2 X 6	2 X 6	55	15
HLA 14x19	120	100	2 X 6	2 X 6	55	15
HLA 14x19	140	120	2 X 6	2 X 6	55	15
HLA 14x19	160	140	3 X 6	2 X 6	55	15
HLA 14x19	180	160	2 X 8	2 X 8	55	15
HLA 14x19	200	180	2 X 8	2 X 8	55	15
HLA 14x19	220	200	2 X 8	2 X 8	55	15
HLA 14x19	240	220	2 X 8	2 X 8	55	15
HLA 14x19	260	240	2 X 8	2 X 8	55	15
HLA 14x19	280	260	2 X 8	2 X 8	55	15
HLA 14x19	300	280	2 X 10	2 X 8	55	15
HLA 14x19	320	300	2 X 10	2 X 10	55	10
HLA 14x19	340	320	3 X 10	2 X 10	55	10
HLA 14x19	360	340	3 X 10	2 X 10	55	10

VOORAANZICHT
VUE FRONTALE

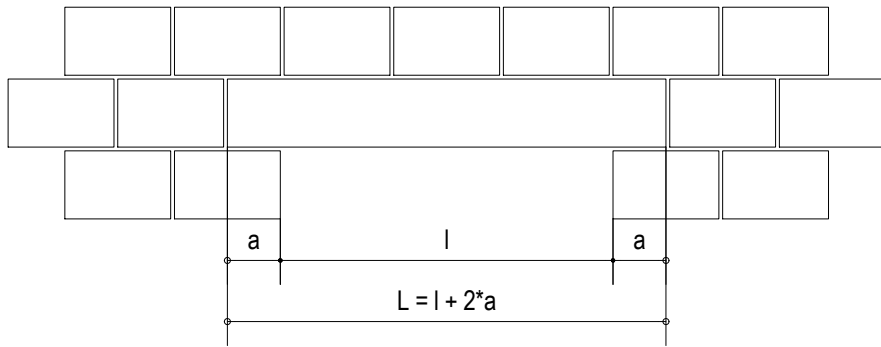


IBeton STERKER DAN BETON <i>Jelegems</i>		IBeton bvba Industrieterrein TTS Italiëstraat 8-10 9140 Temse	☎ : 03/711 25 44 ☎ : 03/711 25 45 ✉ : info@ibeton.be 🌐 : www.ibeton.be
MATERIAL:		BETON / BÉTON	SCALE: 1 : 8 SIZE: A4
TITLE:		HOLLE LATEIEN LINTEAUX CREUX	
SHEET:	NUMBER:	REV:	
1 of 1	HLA 14x19	02	

DRAWN BY: SG	DATE: 14/10/2016
APPROVED BY: CI	DATE: 28/10/2016
PROPRIETARY <small>THIS DOCUMENT MAY CONTAIN CONFIDENTIAL TECHNICAL DATA, INCLUDING TRADE SECRETS PROPRIETARY TO IBETON. THE DRAWING, DESIGN RIGHTS AND ALL OTHER DISCLOSURES IN THIS DOCUMENT ARE THE PROPERTY OF IBETON. UNAUTHORIZED USE, COPYING, DISTRIBUTION TO THIRD PARTIES, MANUFACTURE, OR REPRODUCTION IN WHOLE OR IN PART IS PROHIBITED.</small>	
REMARKS: <small>afmetingen in cm - wijzigingen voorbehouden dimensions en cm - sous réserve de modifications</small>	

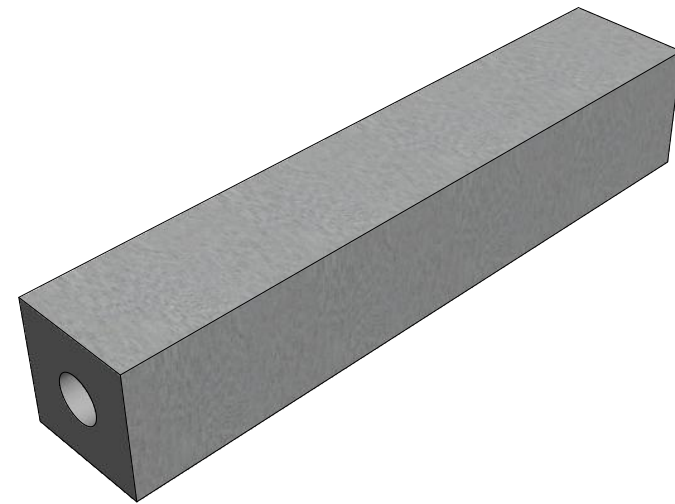
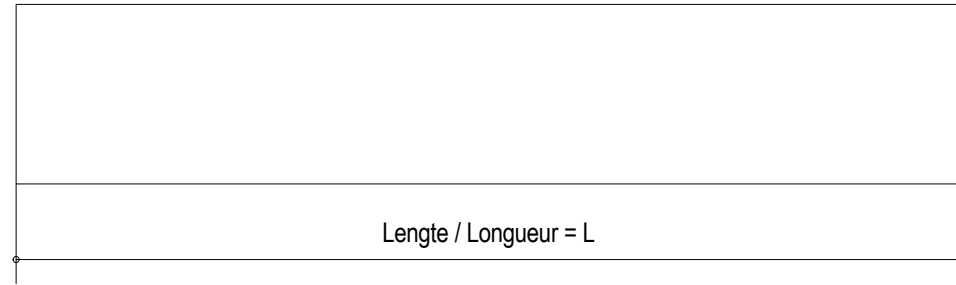


VOORAANZICHT
VUE FRONTALE




(a) = min. 10cm indien $l \leq 1m$ / (a) = 10cm minimum pour $l \leq 1m$
(a) = min. 20cm indien $l > 1m$ / (a) = 20cm minimum pour $l > 1m$

VOORAANZICHT
VUE FRONTALE



HOLLE LATEIEN / LINTEAUX CREUX

Nummer Numéro	Lengte "L" Longueur "L"	Lengte "l" Longueur "l"	Wapening onder d'armature sous (mm)	Wapening boven d'armature au-dessus (mm)	Gewicht Poids (kg/m)	Aantal/Pak emballage
HLA 19x19	100	80	2 X 8	2 X 8	65	12
HLA 19x19	120	100	2 X 8	2 X 8	65	16
HLA 19x19	140	120	2 X 8	2 X 8	65	12
HLA 19x19	160	140	2 X 8	2 X 8	65	12
HLA 19x19	180	160	2 X 8	2 X 8	65	12
HLA 19x19	200	180	2 X 8	2 X 8	65	12
HLA 19x19	220	200	2 X 8	2 X 8	65	12
HLA 19x19	240	220	3 X 8	3 X 8	65	12
HLA 19x19	260	240	3 X 8	3 X 8	65	12
HLA 19x19	280	260	3 X 8	3 X 8	65	12
HLA 19x19	300	280	2 X 10	2 X 10	65	12
HLA 19x19	320	300	4 X 10	2 X 10	65	8
HLA 19x19	340	320	4 X 10	2 X 10	65	8
HLA 19x19	360	340	4 X 10	2 X 10	65	8

 IBeton bvba Industrieterrein TTS Italiëstraat 8-10 9140 Temse		☎ : 03/711 25 44 📠 : 03/711 25 45 ✉ : info@ibeton.be 🌐 : www.ibeton.be
MATERIAL:		SCALE: 1 : 8
BETON / BÉTON		SIZE: A4
TITLE: HOLLE LATEIEN LINTEAUX CREUX		
SHEET: 1 of 1	NUMBER: HLA 19x19	REV: 02

DRAWN BY: SG	DATE: 14/10/2016
APPROVED BY: CI	DATE: 28/10/2016
PROPRIETARY <small>THIS DOCUMENT MAY CONTAIN CONFIDENTIAL TECHNICAL DATA, INCLUDING TRADE SECRETS PROPRIETARY TO IBETON. THE DRAWING, DESIGN RIGHTS AND ALL OTHER DISCLOSURES IN THIS DOCUMENT ARE THE PROPERTY OF IBETON. UNAUTHORIZED USE, COPYING, DISTRIBUTION TO THIRD PARTIES, MANUFACTURE, OR REPRODUCTION IN WHOLE OR IN PART IS PROHIBITED.</small>	
REMARKS: <small>afmetingen in cm - wijzigingen voorbehouden dimensions en cm - sous réserve de modifications</small>	