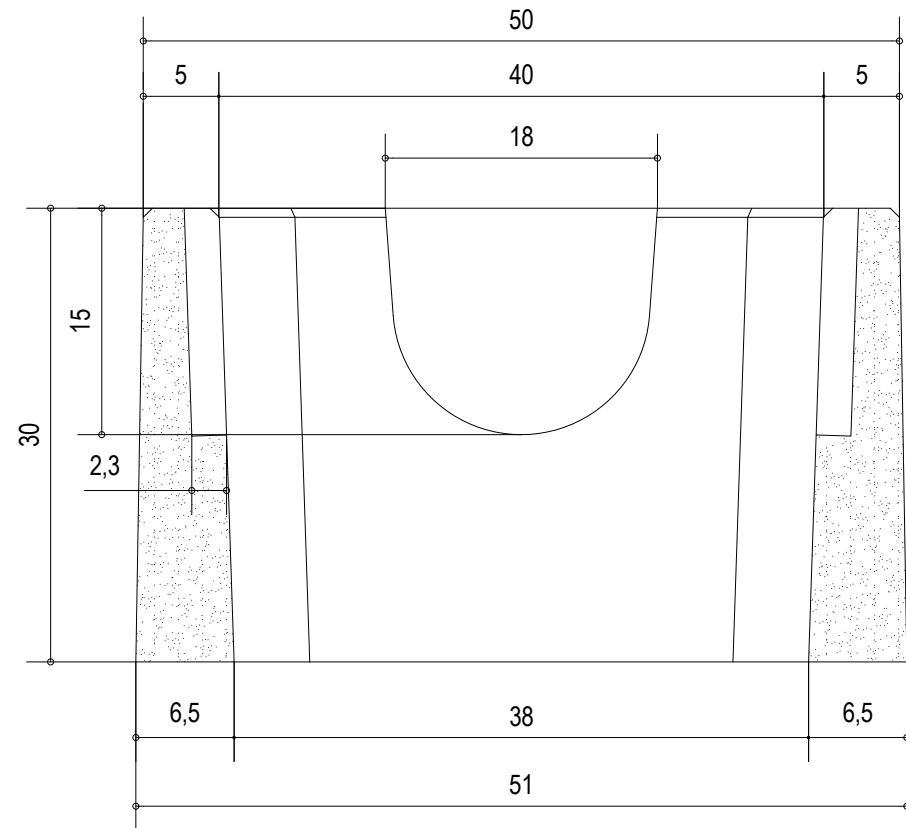
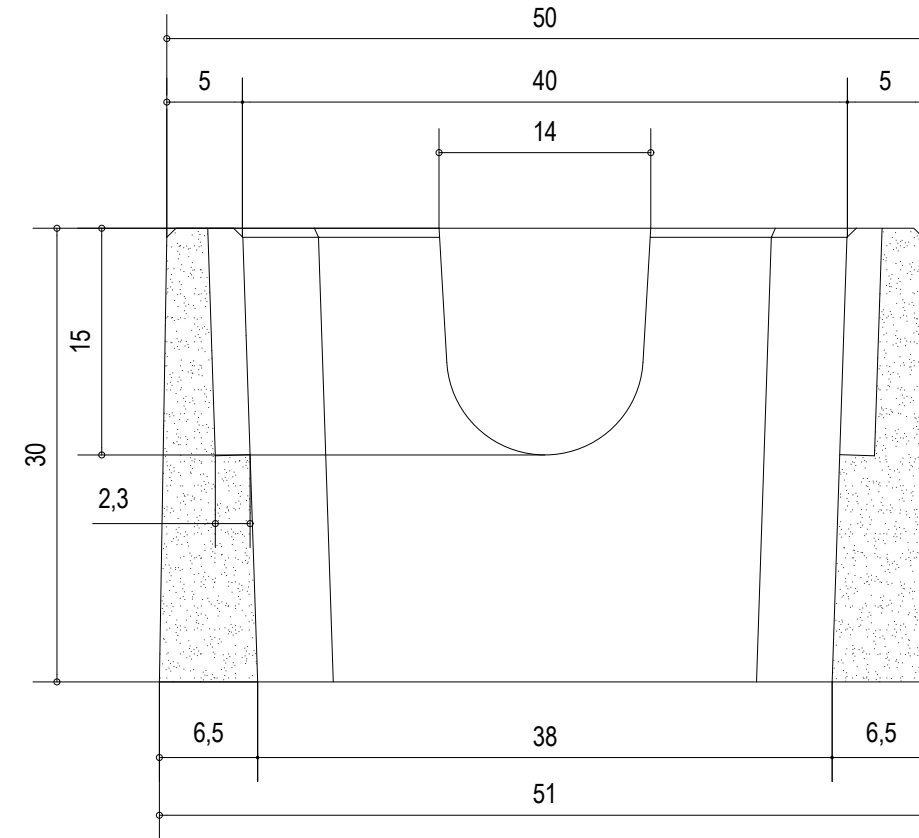


KENMERKEN		CARACTERISTIQUES
Gewicht	70 kg	Poids

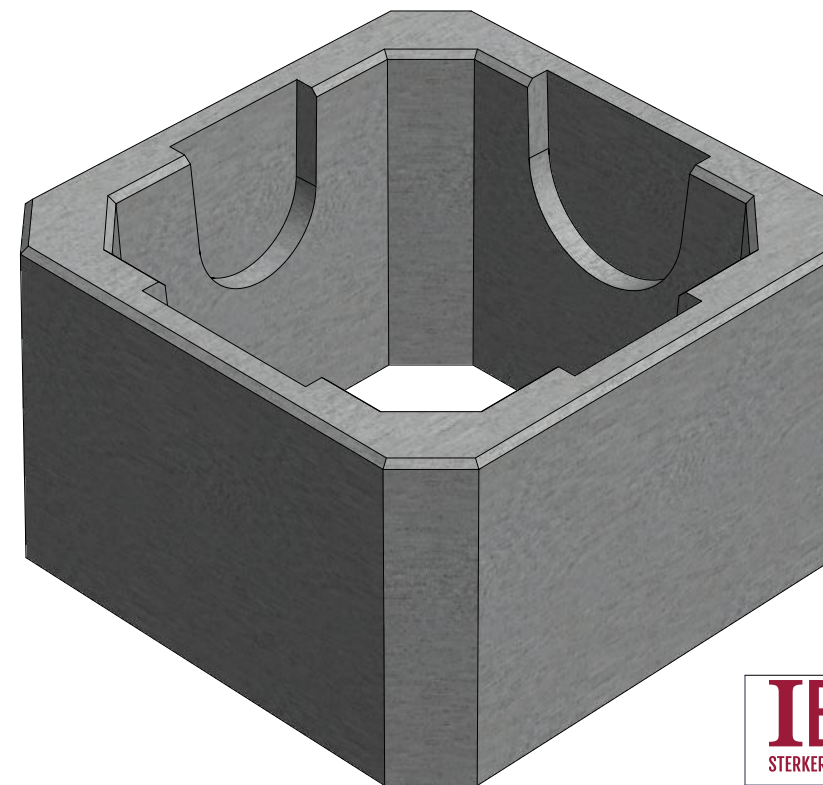
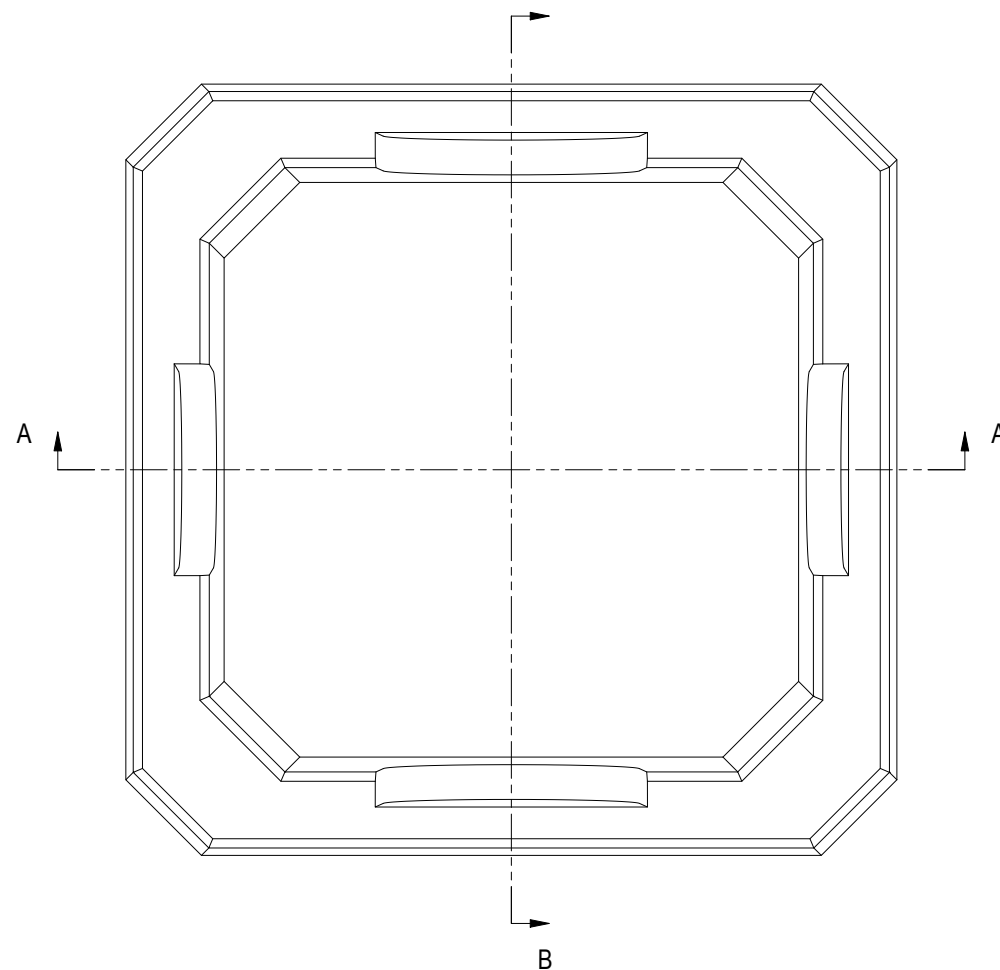
VOORAANZICHT
VUE DE FACE



ZIJAANZICHT
VUE LATÉRALE



BOVENAANZICHT
VUE DE DESSUS
B



IBeton
STERKER DAN BETON *Jelegems*

IBeton bvba
Industrieterrein TTS
Italiëstraat 8-10
9140 Temse

☎ : 03/711 25 44
☎ : 03/711 25 45
✉ : info@ibeton.be
🌐 : www.ibeton.be

MATERIAL:	BETON / BÉTON	SCALE: 1 : 5
		SIZE: A3

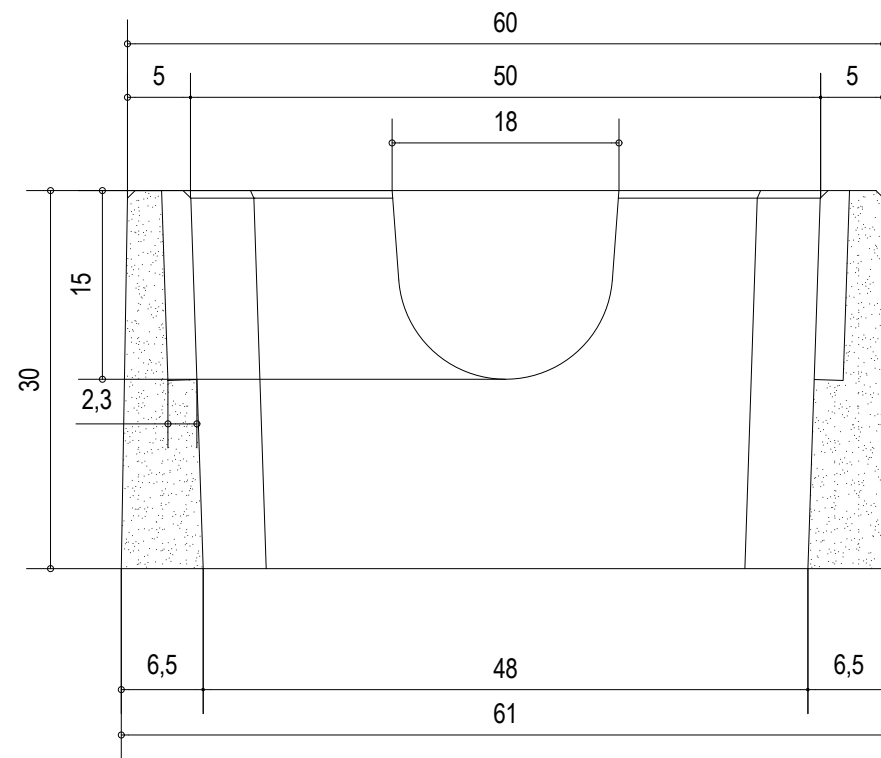
TITLE:	OPZETSTUK REHAUSSE	
--------	-------------------------------	--

SHEET:	NUMBER:	REV:
1 of 1	PVR150	01

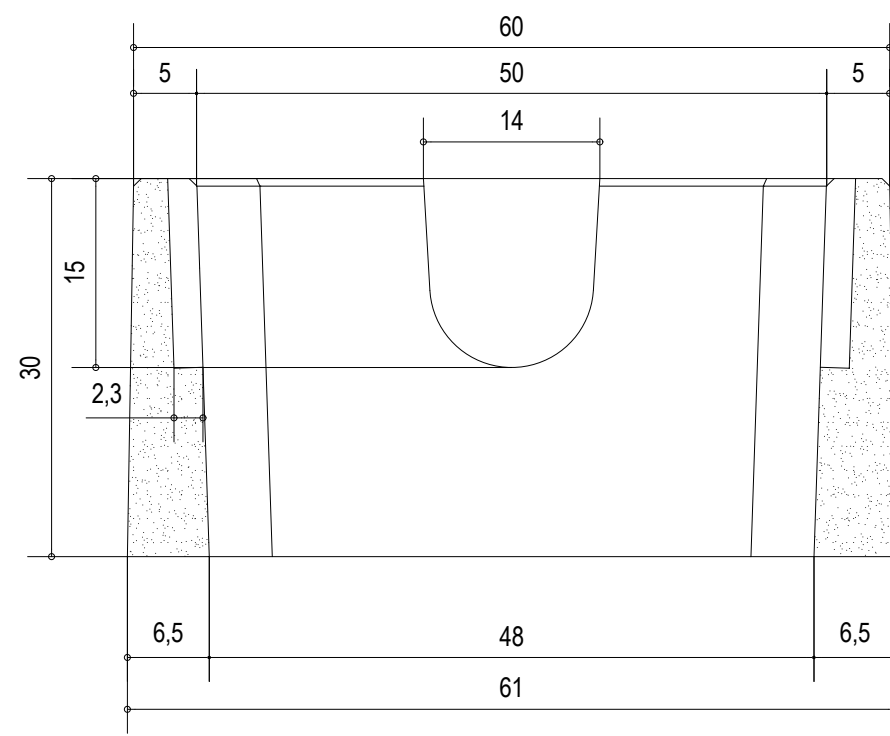
DRAWN BY:	SG	DATE:	10/08/2018
APPROVED BY:	CI	DATE:	17/08/2018
PROPRIETARY <small>THIS DOCUMENT MAY CONTAIN CONFIDENTIAL TECHNICAL DATA, INCLUDING TRADE SECRETS PROPRIETARY TO IBETON. THE DRAWING, DESIGN RIGHTS AND ALL OTHER DISCLOSURES IN THIS DOCUMENT ARE THE PROPERTY OF IBETON. UNAUTHORIZED USE, COPYING, DISTRIBUTION TO THIRD PARTIES, MANUFACTURE, OR REPRODUCTION IN WHOLE OR IN PART IS PROHIBITED.</small>			
REMARKS: afmetingen in cm - wijzigingen voorbehouden <small>dimensions en cm - sous réserve de modifications</small>			

KENMERKEN		CARACTERISTIQUES	
Gewicht	87 kg	Poids	

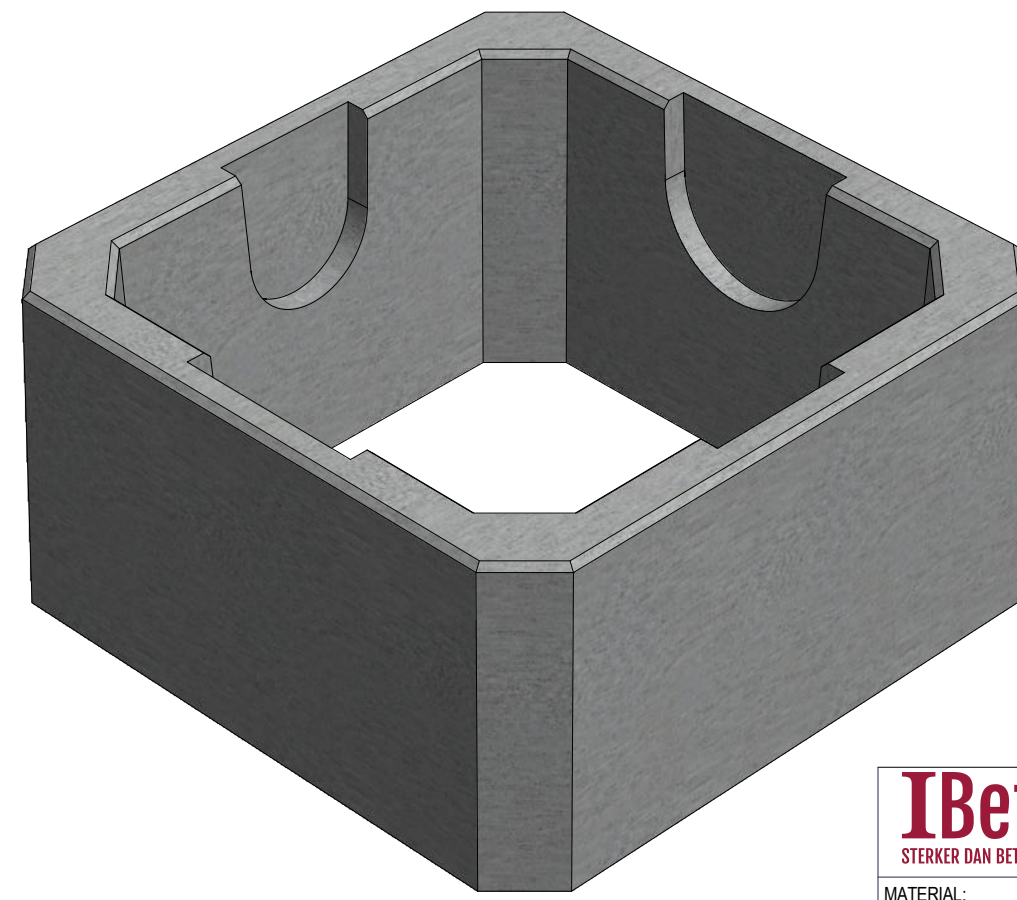
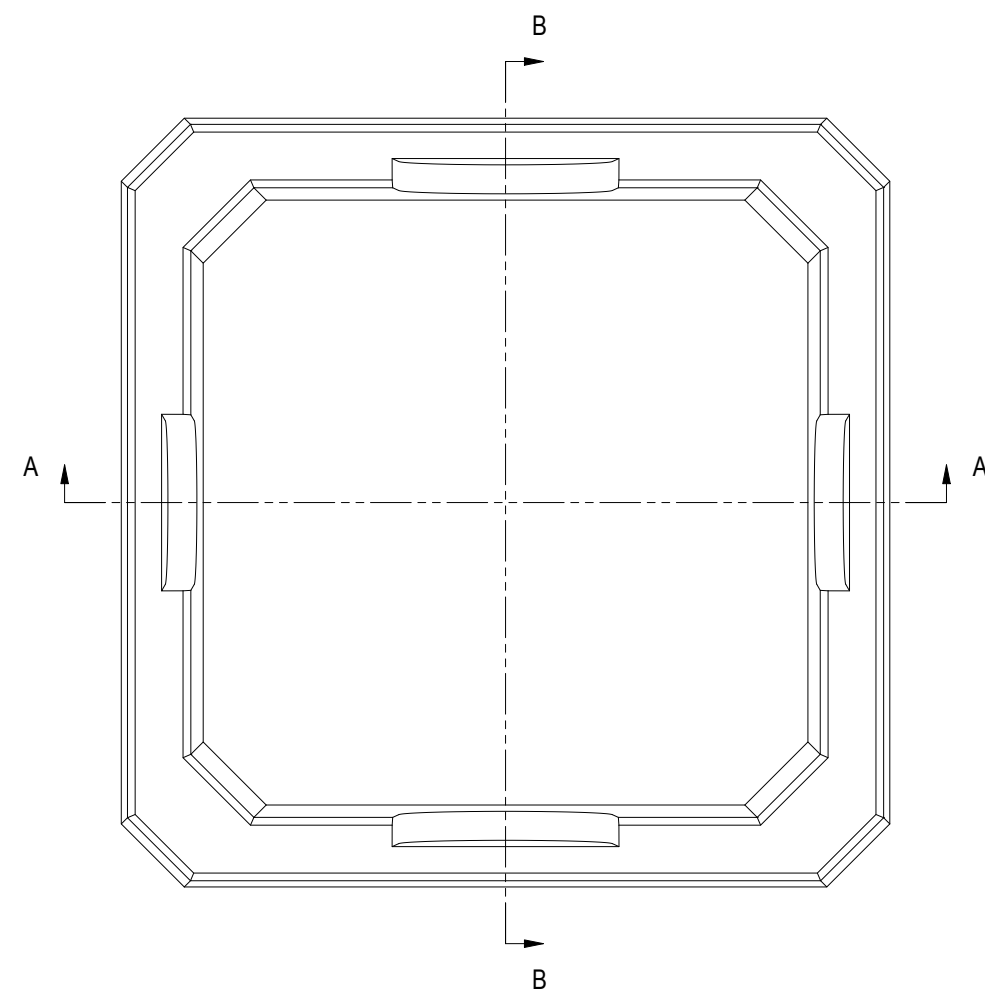
VOORAANZICHT
VUE DE FACE



ZIJAANZICHT
VUE LATÉRALE



BOVENAANZICHT
VUE DE DESSUS



IBeton
STERKER DAN BETON *Jelegems*

IBeton bvba
Industrieterrein TTS
Italiëstraat 8-10
9140 Temse

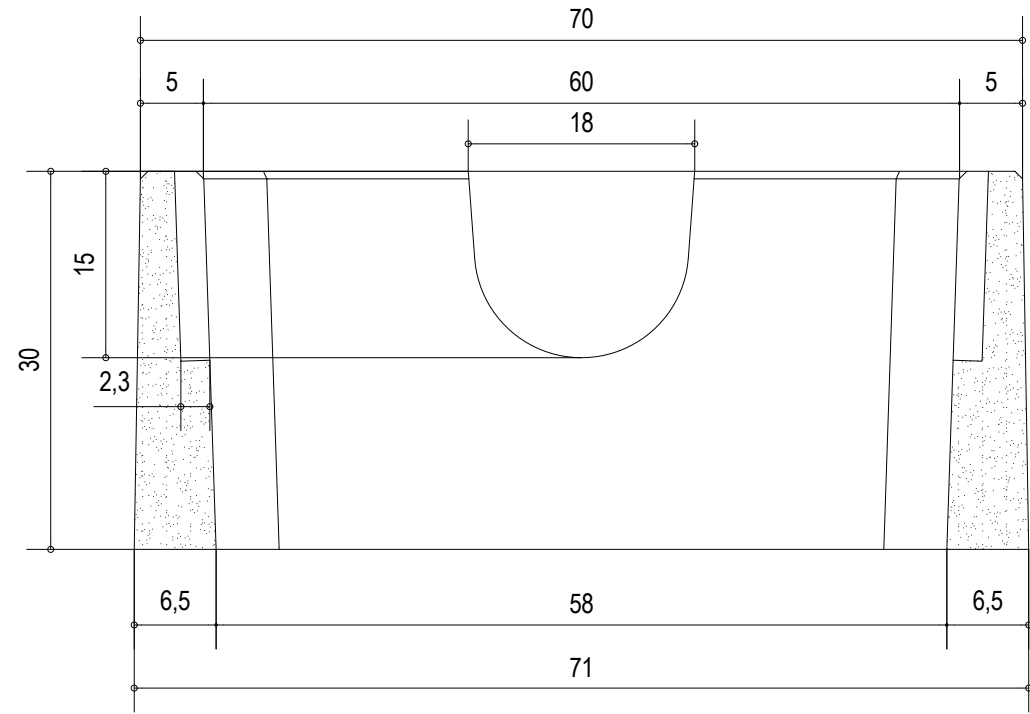
☎ : 03/711 25 44
☎ : 03/711 25 45
✉ : info@ibeton.be
🌐 : www.ibeton.be

MATERIAL:		SCALE: 1 : 6	
BETON / BÉTON		SIZE: A3	
TITLE: OPZETSTUK REHAUSSE			
SHEET: 1 of 1	NUMBER: PVR160	REV: 01	

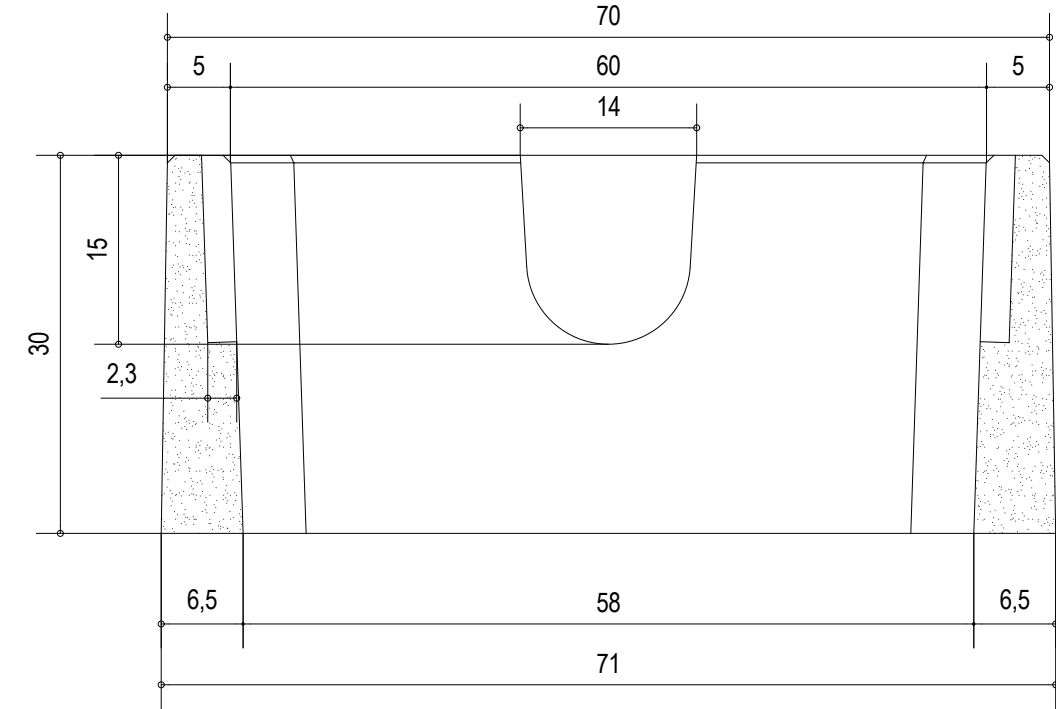
DRAWN BY: SG	DATE: 10/08/2018
APPROVED BY: CI	DATE: 17/08/2018
<small>PROPRIETARY THIS DOCUMENT MAY CONTAIN CONFIDENTIAL TECHNICAL DATA, INCLUDING TRADE SECRETS PROPRIETARY TO IBETON. THE DRAWING, DESIGN RIGHTS AND ALL OTHER DISCLOSURES IN THIS DOCUMENT ARE THE PROPERTY OF IBETON. UNAUTHORIZED USE, COPYING, DISTRIBUTION TO THIRD PARTIES, MANUFACTURE, OR REPRODUCTION IN WHOLE OR IN PART IS PROHIBITED.</small>	
<small>REMARKS: afmetingen in cm - wijzigingen voorbehouden dimensions en cm - sous réserve de modifications</small>	

KENMERKEN		CARACTERISTIQUES
Gewicht	105 kg	Poids

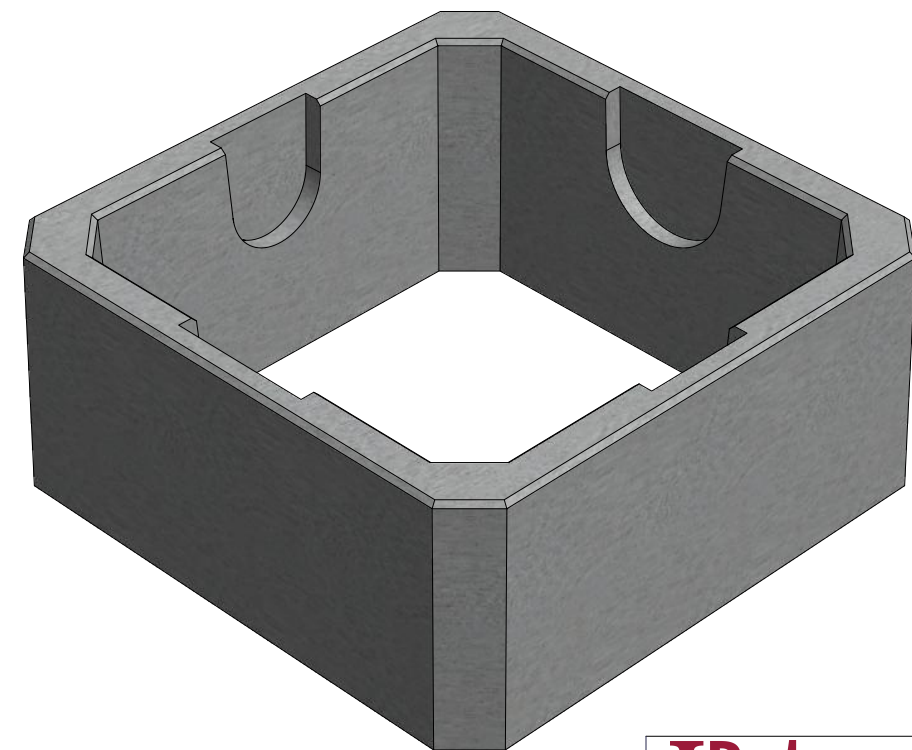
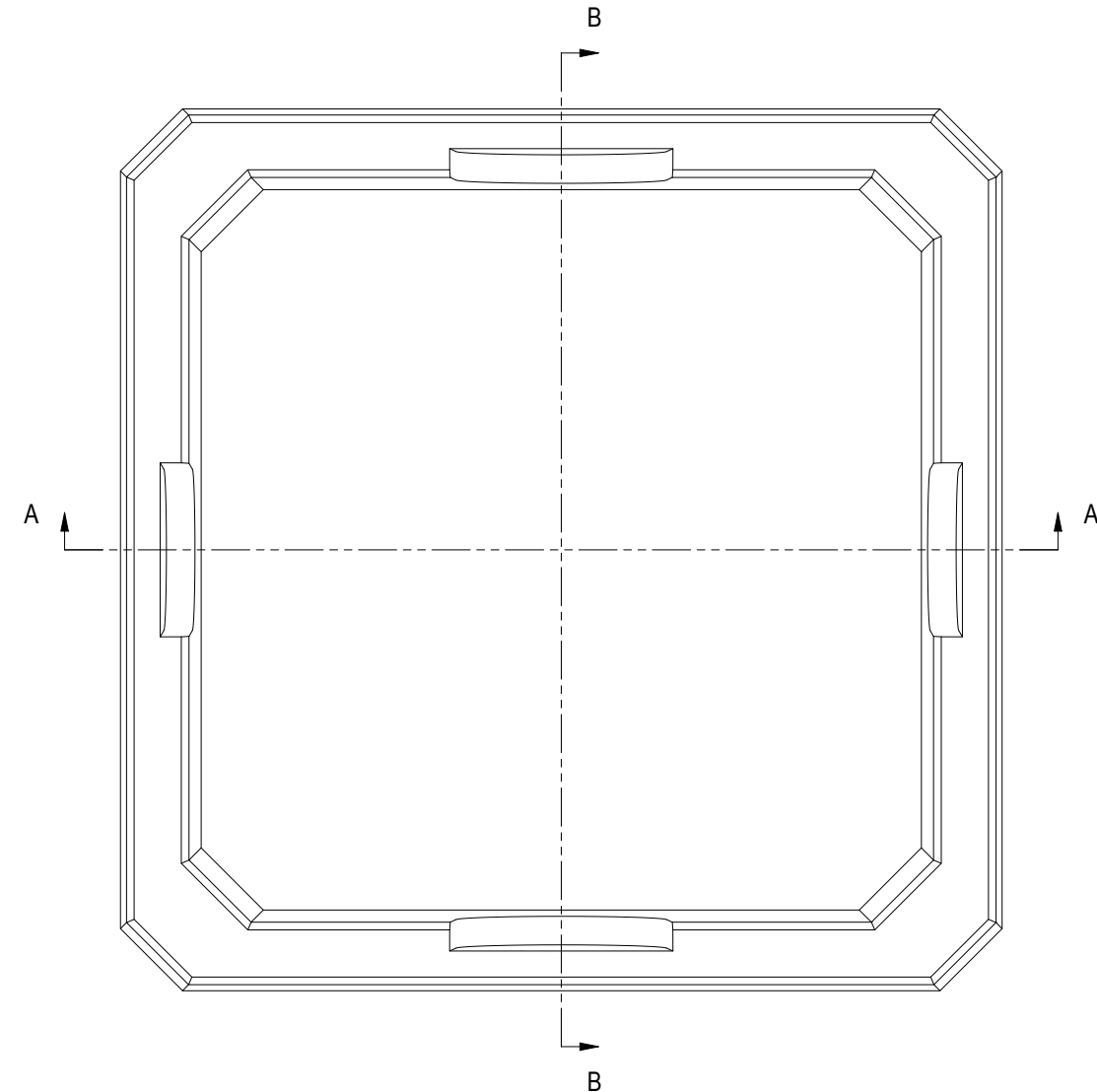
VOORAANZICHT
VUE DE FACE



ZIJAANZICHT
VUE LATÉRALE



BOVENAANZICHT
VUE DE DESSUS



IBeton
STERKER DAN BETON *Jelegen*

IBeton bvba
Industrieterrein TTS
Italiëstraat 8-10
9140 Temse

☎ : 03/711 25 44
☎ : 03/711 25 45
✉ : info@ibeton.be
🌐 : www.ibeton.be

MATERIAL:	BETON / BÉTON	SCALE: 1 : 6
		SIZE: A3

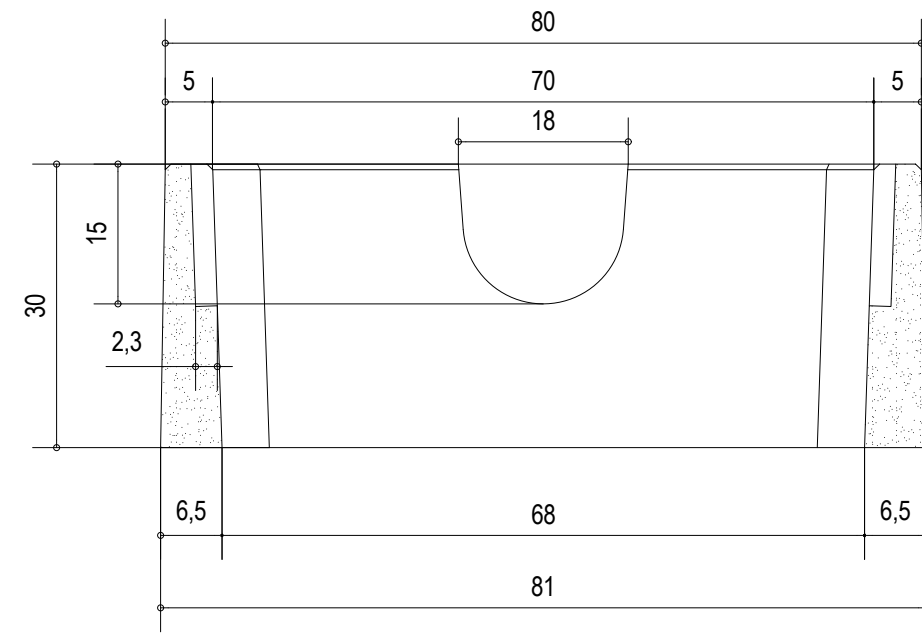
TITLE:	OPZETSTUK REHAUSSE	
--------	-------------------------------	--

SHEET:	NUMBER:	REV:
1 of 1	PVR170	01

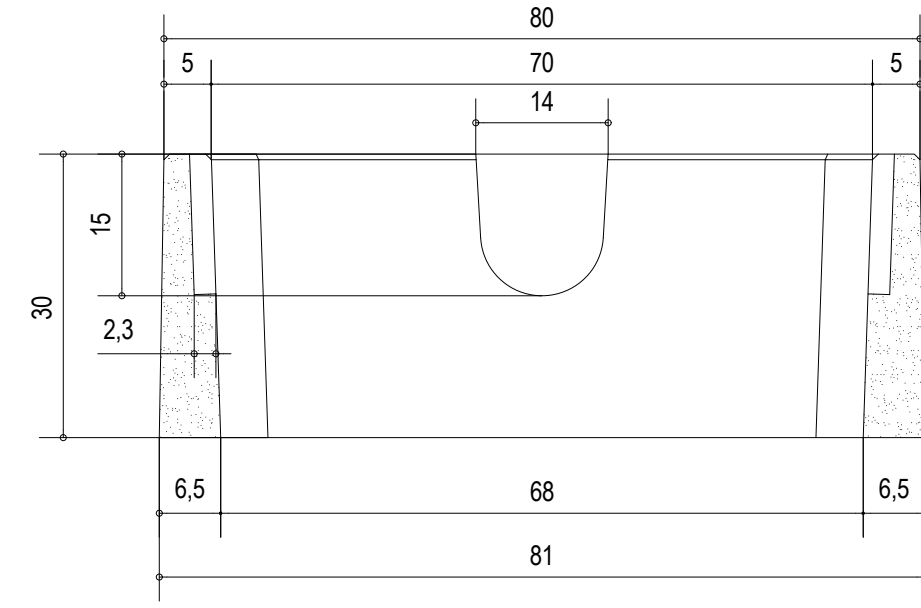
DRAWN BY:	SG	DATE:	10/08/2018
APPROVED BY:	CI	DATE:	17/08/2018
<small>PROPRIETARY THIS DOCUMENT MAY CONTAIN CONFIDENTIAL TECHNICAL DATA, INCLUDING TRADE SECRETS PROPRIETARY TO IBETON. THE DRAWING, DESIGN RIGHTS AND ALL OTHER DISCLOSURES IN THIS DOCUMENT ARE THE PROPERTY OF IBETON. UNAUTHORIZED USE, COPYING, DISTRIBUTION TO THIRD PARTIES, MANUFACTURE, OR REPRODUCTION IN WHOLE OR IN PART IS PROHIBITED.</small>			
<small>REMARKS: afmetingen in cm - wijzigingen voorbehouden dimensions en cm - sous réserve de modifications</small>			

KENMERKEN		CARACTERISTIQUES	
Gewicht	120 kg	Poids	

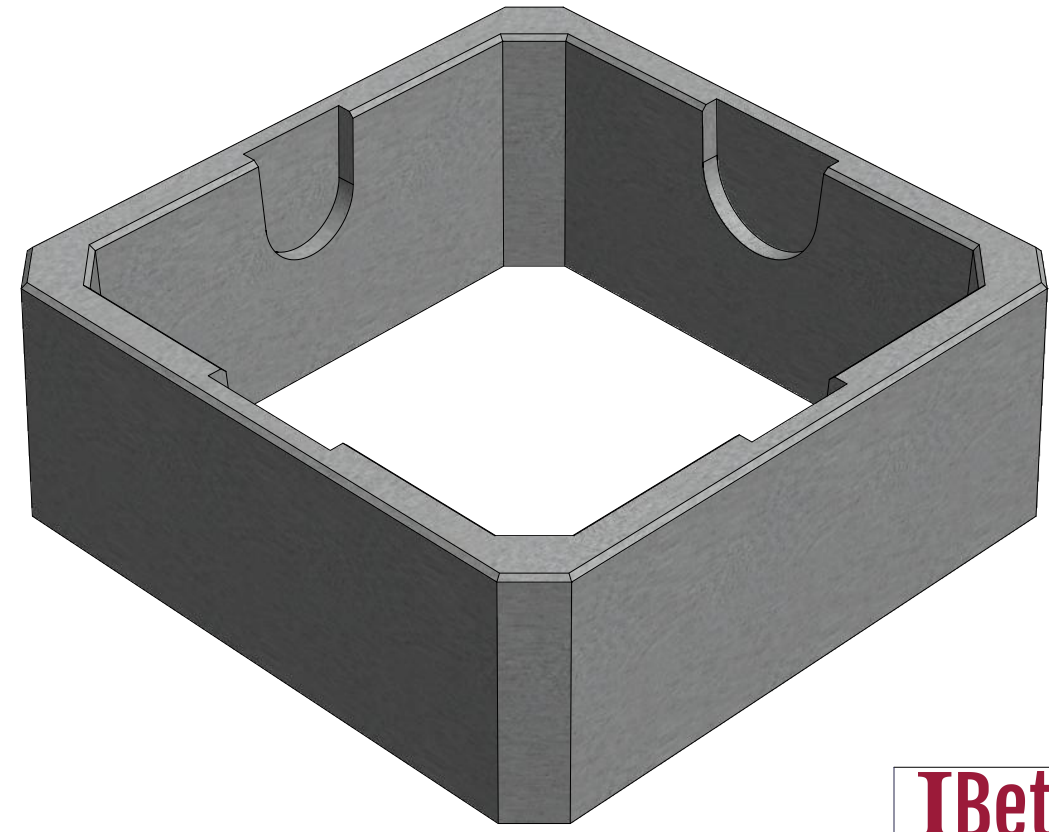
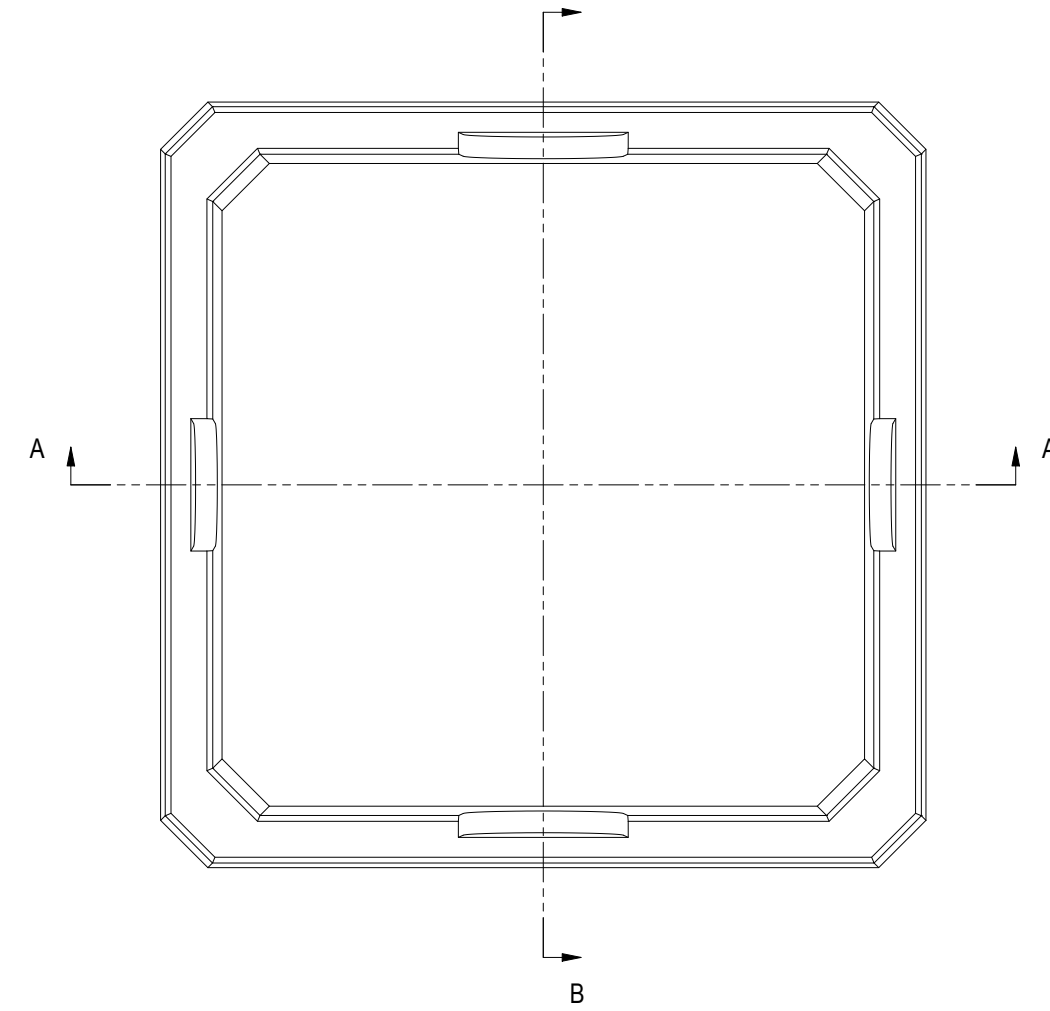
VOORAANZICHT
VUE DE FACE



ZIJAANZICHT
VUE LATÉRALE



BOVENAANZICHT
VUE DE DESSUS
B



IBeton
STERKER DAN BETON *Jelegem*

IBeton bvba
Industrieterrein TTS
Italiëstraat 8-10
9140 Temse

☎ : 03/711 25 44
☎ : 03/711 25 45
✉ : info@ibeton.be
🌐 : www.ibeton.be

MATERIAL:		SCALE: 1 : 8	
BETON / BÉTON		SIZE: A3	
TITLE: OPZETSTUK REHAUSSE			
SHEET:	NUMBER:	REV:	
1 of 1	PVR180	01	

DRAWN BY:	SG	DATE:	10/08/2018
APPROVED BY:	CI	DATE:	17/08/2018
PROPRIETARY <small>THIS DOCUMENT MAY CONTAIN CONFIDENTIAL TECHNICAL DATA, INCLUDING TRADE SECRETS PROPRIETARY TO IBETON. THE DRAWING, DESIGN RIGHTS AND ALL OTHER DISCLOSURES IN THIS DOCUMENT ARE THE PROPERTY OF IBETON. UNAUTHORIZED USE, COPYING, DISTRIBUTION TO THIRD PARTIES, MANUFACTURE, OR REPRODUCTION IN WHOLE OR IN PART IS PROHIBITED.</small>			
REMARKS: <small>afmetingen in cm - wijzigingen voorbehouden dimensions en cm - sous réserve de modifications</small>			

KENMERKEN

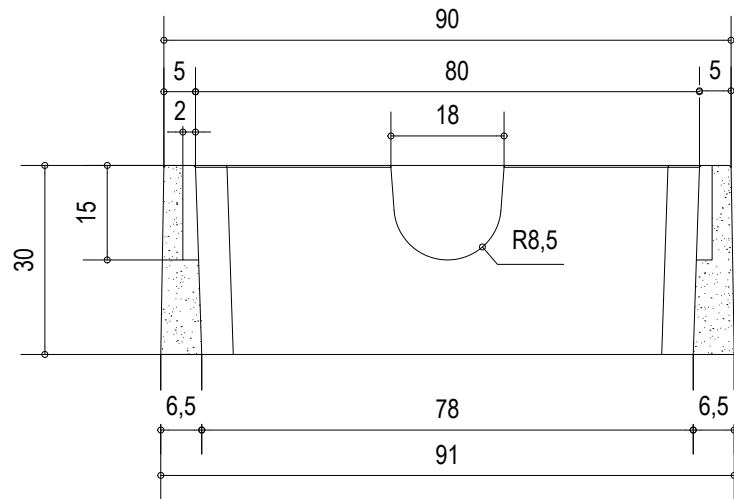
CARACTERISTIQUES

Gewicht

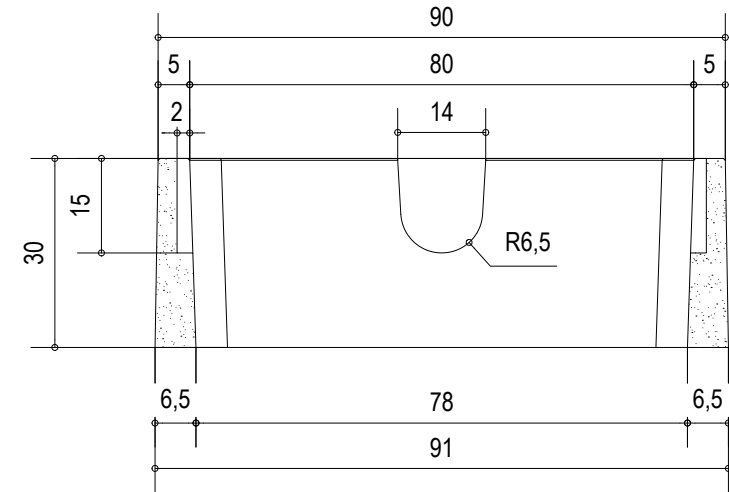
130 kg

Poids

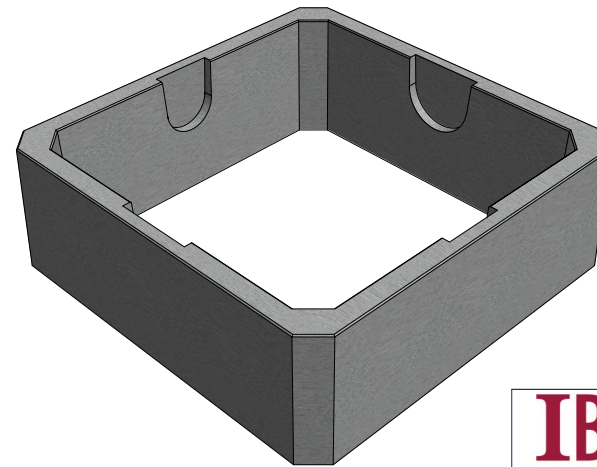
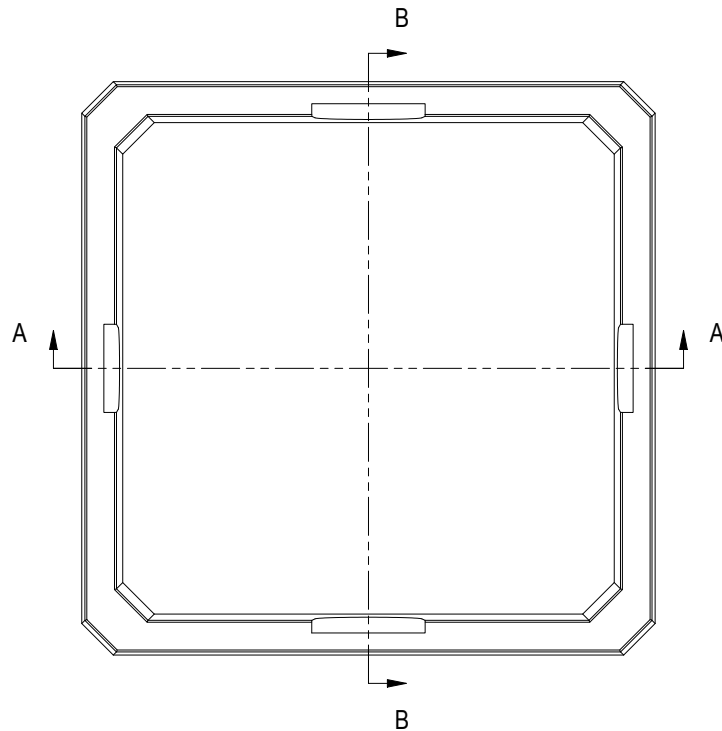
VOORAANZICHT
VUE DE FACE



ZIJAANZICHT
VUE LATÉRALE



BOVENAANZICHT
VUE DE DESSUS



IBeton
STERKER DAN BETON *Jelegems*

IBeton bvba
Industrieterrein TTS
Italiëstraat 8-10
9140 Temse

☎ : 03/711 25 44
☎ : 03/711 25 45
✉ : info@ibeton.be
🌐 : www.ibeton.be

MATERIAL:

BETON / BÉTON

SCALE: 1 : 12

SIZE: A4

TITLE:

**OPZETSTUK
REHAUSSE**

SHEET:

1 of 1

NUMBER:

PVR190

REV:

04

DRAWN BY: SG DATE: 15/10/2016

APPROVED BY: CI DATE: 29/10/2016

PROPRIETARY

THIS DOCUMENT MAY CONTAIN CONFIDENTIAL TECHNICAL DATA, INCLUDING TRADE SECRETS PROPRIETARY TO IBETON. THE DRAWING, DESIGN RIGHTS AND ALL OTHER DISCLOSURES IN THIS DOCUMENT ARE THE PROPERTY OF IBETON. UNAUTHORIZED USE, COPYING, DISTRIBUTION TO THIRD PARTIES, MANUFACTURE, OR REPRODUCTION IN WHOLE OR IN PART IS PROHIBITED.

REMARKS: afmetingen in cm - wijzigingen voorbehouden
dimensions en cm - sous réserve de modifications